

# LEDBELYSNING

BELYSNINGSSYSTEM MED PLUG AND PLAY

THEOFILS

# CONTENT

## INTRODUCTION

→ 2



## SPOT- AND SPECIAL LIGHTS

→ 5



Spot lights  
Special lights

## LED STRIPS AND PROFILES

→ 27



LED strips  
Modular system Tudo  
Luminaire profiles

## LINEAR LIGHTS

→ 50



Pendant lights  
Illuminated shelves  
Mirror lights

## CONTROL SYSTEMS, LED CONVERTER AND SENSORS

→ 62



Frankfurt series  
Stuttgart series  
LED Converter  
Sensors  
Controls

## INFORMATION

→ 82



Symbols

# SMART LEDBELYSNING

Theofils belysning med enkel plug-and-play installation skapar bästa förutsättningar för en trevlig miljö. I sortimentet finns bänk-, skåp-, garderob- och lådbelysning. All belysningen monteras enkelt och smidigt men se till att installationen görs på ett korrekt sätt. Med funktionen "Emotion" kan ni justera färgtemperatur och dimning på belysningen. Båda våra nya system "Frankfurt" och Stuttgart" har denna styrning.



# FÄRGTEMPERATUR

I VÅRT LAGERLAGDA SORTIMENT HAR VI  
VALT BELYSNING MED FÄRGTEMPERATUR  
PÅ 3000-4000K. MEN HAR NI ANDRA  
BEHOV KAN VI ERBJUDA TEMPERATURER  
PÅ MELLAN 2700-6500K



## PLUG-AND-PLAY

Med plug-and-play kan nu alla enkelt koppla ihop sitt eget belysningsssystem. Våra två olika system "Frankfurt" och "Stuttgart" ansluts med europplugg direkt till eluttaget - likt en vanlig lampa. Sen kan du enkelt bygga ditt eget system med styrenheter, spots och eller lister. Allt kopplas ihop med quick connect, så du kan bygga ut eller ändra ditt system när du vill, utan att anlita en elektriker. Systemet är inte bara mycket användarvänligt utan även väldigt prisvärt.



# MOONLIGHT EMOTION

- \ Flat LED recessed spot light
- \ Diffuse light source without light spots
- \ Dimmable with continuously adjustable color temperature through emotion technology

**!** The LED lights up Warm white without Emotion control. With the adapter 2000436 it lights up Cool white.

## PRODUCT FEATURES

Type of Light:	Recessed / Surface-mounted light
Operating voltage:	12 V
Power:	3,2 W / 3,6 W
Colour temperature:	Emotion (3000-6000 K)
Start Colour:	Warm white
Colour rendering:	>80
Luminous flux:	173,5-279 lm
Luminous efficacy:	54-63 / 82 lm/W
LED lifespan:	30000 h
Number of LEDs:	30+30 / 36+36
Beam angle:	110°
IP protection rating:	IP20
Material:	Plastic
Surface / Colour:	Stainless steel coloured, Black
Feed line:	2000 mm

## PHOTOMETRICS

Moonlight Emotion 58		3000-6000 K
0 cm	110°	
30 cm		919-1039 lx
50 cm		310-350 lx
100 cm		85-96 lx

Moonlight Emotion 68		3000-6000 K
0 cm	110°	
30 cm		1102-1147 lx
50 cm		263-283 lx
100 cm		64-79 lx

MOONLIGHT EMOTION	COLOUR TEMPERATURE	POWER (W)	COLOUR	REF.	THEOFILS
Recessed light Moonlight 58 Round	Emotion	3,2	Stainless steel coloured	2000001	310000
			Black	2000500	310001
Recessed light Moonlight 58 Square		3,6	Stainless steel coloured	2000002	310002
Recessed light Moonlight 68			Black	2000497	310004
Emotion adapter cable 12 V				2000436	310077



**Moonlight Emotion 58**  
Round



Stainless steel coloured



Black

**Moonlight Emotion 58**  
Square



Stainless steel coloured

**Moonlight Emotion 68**

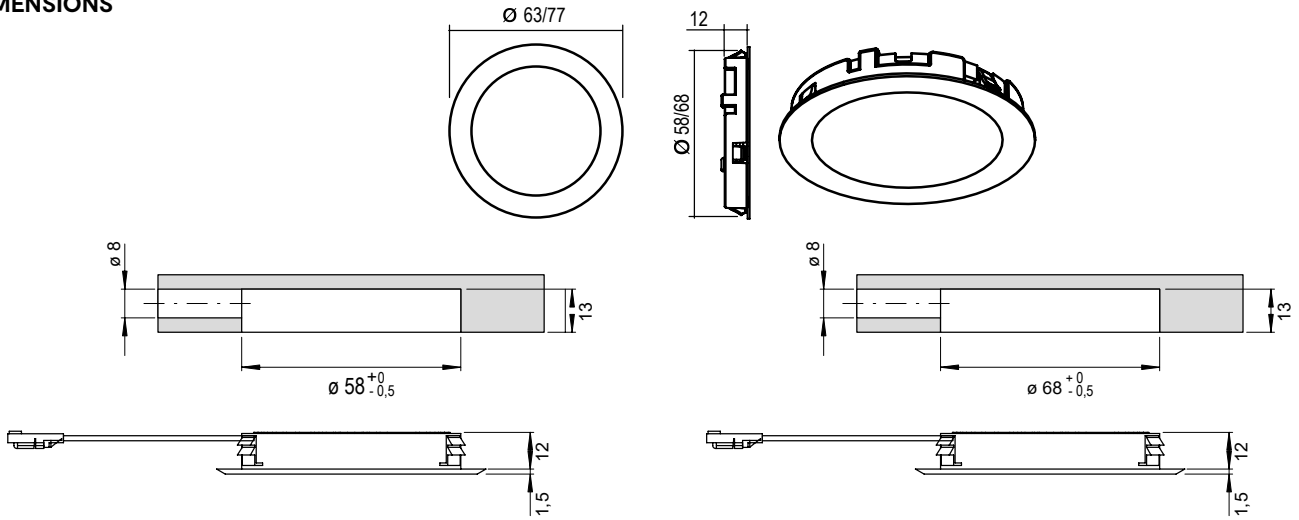


Stainless steel coloured



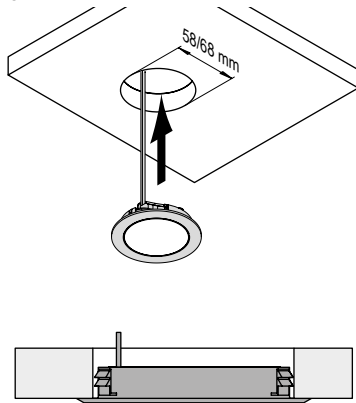
Black

**DIMENSIONS**

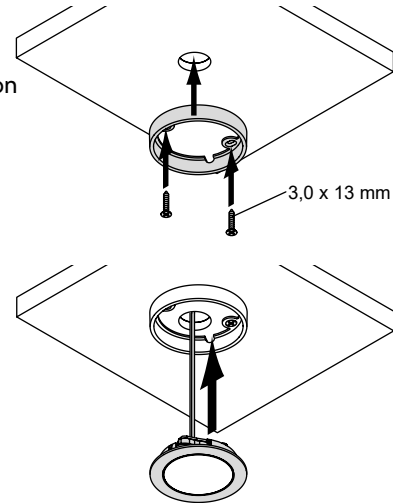


**INSTALLATION**

Recessed version



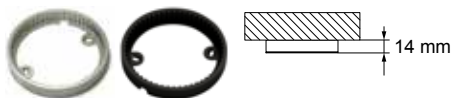
Surface-mounted version



**ACCESSORIES**

**Spacer ring 68 Round**

\ Dimensions 77x12 mm



SPACER RING	REF.	THEOFILS
Stainless steel look	2000004	310078
Black	2000516	310079





# CHIP 58 12 V

- \ Flat LED recessed spot light
- \ Optionally with spacer ring
- \ Diffuse light source without light spots



**!** \* The LED lights up Warm white without Emotion control. With the adapter 2000436 it lights up Cool white.

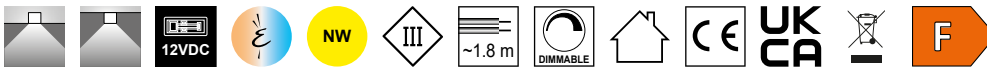
## PRODUCT FEATURES

Type of Light:	Recessed / Surface-mounted light
Operating voltage:	12 V
Power:	4 W
Colour temperature:	Warm white / Natural white / Emotion
Start Colour Emotion:	Warm white
Colour rendering:	>80
Luminous flux:	250 lm
Luminous efficacy:	62,5 lm/W
LED lifespan:	30000 h
Number of LEDs:	24 / 18+18
Beam angle:	110°
IP protection rating:	IP20
Material:	Aluminum
Surface / Colour:	Stainless steel look
Feed line:	1800 mm

## PHOTOMETRICS

Chip 58	3000 K	4000 K	2700-6500 K
0 cm			
30 cm	1498 lx	1580 lx	1300-1385 lx
50 cm	520 lx	554 lx	445-520 lx
100 cm	100 lx	153 lx	125-133 lx

CHIP 58 12 V	COLOUR TEMPERATURE	POWER (W)	COLOUR	REF.	THEOFILS
Recessed light Chip 58 12 V	Warm white	4,0	Stainl. steel look	<b>2000009</b>	<b>310005</b>
	Natural white			<b>2000010</b>	<b>310006</b>
	Emotion*		Black	<b>2000865</b>	<b>310246</b>
			Stainl. steel look	<b>2000011</b>	<b>310007</b>
			Black	<b>2000864</b>	<b>310247</b>
Emotion Adapter cable 12 V			<b>2000436</b>	<b>310077</b>	

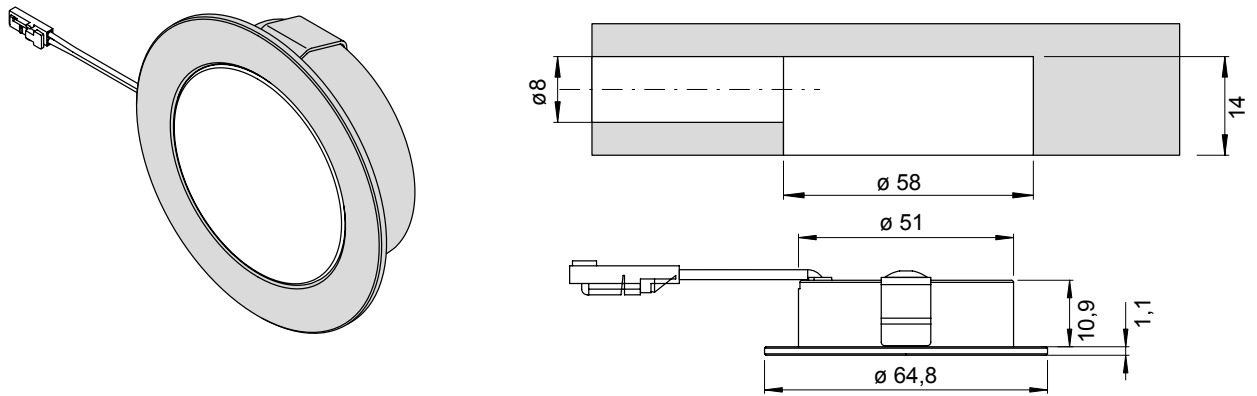


Chip 58

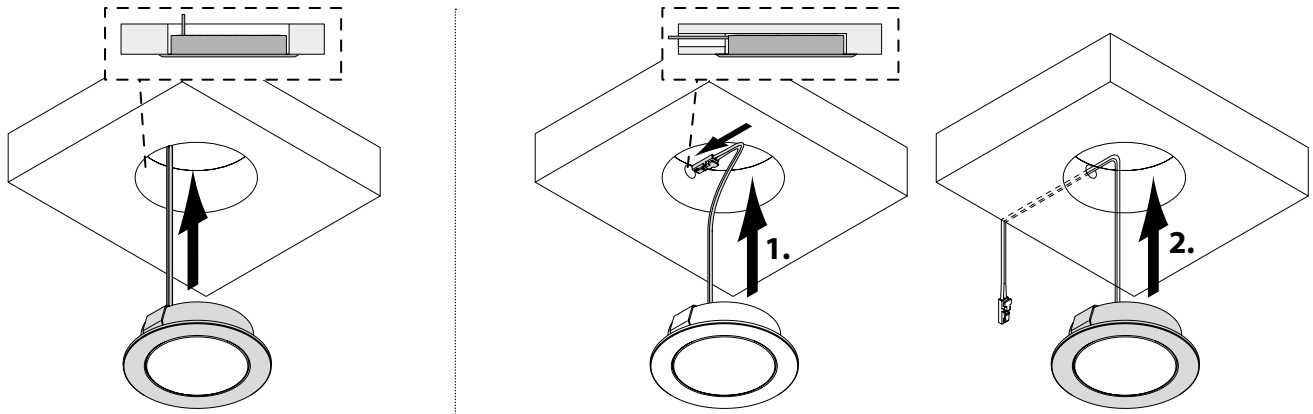


Stainless steel look    Black

DIMENSIONS

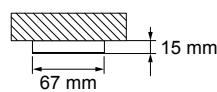


INSTALLATION



ACCESSORIES

Spacer ring for Chip 58



Emotion radio control

Control systems for LED Emotion luminaires:  
 \ Frankfurt Series  
 \ Stuttgart Series

SPACER RING	REF.	THEOFILS
Stainless steel look	2000012	310080
Black	2000866	310248







# CHIP 68

- \ Flat LED recessed spot light
- \ Optionally with spacer ring
- \ Diffuse light source without light spots



\* The LED lights up Warm white without Emotion control. With the adapter 2000436 it lights up Cool white.

## PRODUCT FEATURES

Type of Light:	Recessed / Surface-mounted light
Operating voltage:	12 V
Power:	4 W
Colour temperature:	Warm white / Natural white / Emotion
Start Colour Emotion:	Warm white
Colour rendering:	>80
Luminous flux:	300 lm
Luminous efficacy:	75 lm/W
LED lifespan:	30000 h
Number of LEDs:	30 / 30+30
Beam angle:	110°
IP protection rating:	IP20
Material:	Aluminum
Surface / Colour:	Stainless steel look
Feed line:	1800 mm

## PHOTOMETRICS

Chip 68	3000 K	4000 K	2700-6500 K
0 cm			
30 cm	1620 lx	1705 lx	1564-1640 lx
50 cm	550 lx	587 lx	558-584 lx
100 cm	155 lx	163 lx	158-167 lx

CHIP	COLOUR TEMPERATURE	POWER (W)	REF.	THEOFILS
Recessed light Chip 68	Warm white	4.0	2000015	310008
	Natural white		2000016	310009
	Emotion*		2000017	310010
Emotion adapter cable 12 V			2000436	310077

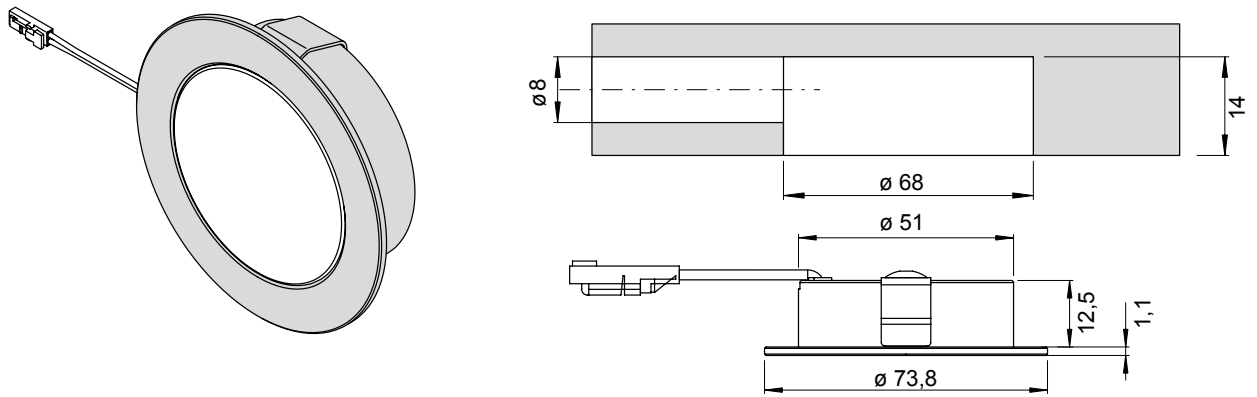


Chip 68

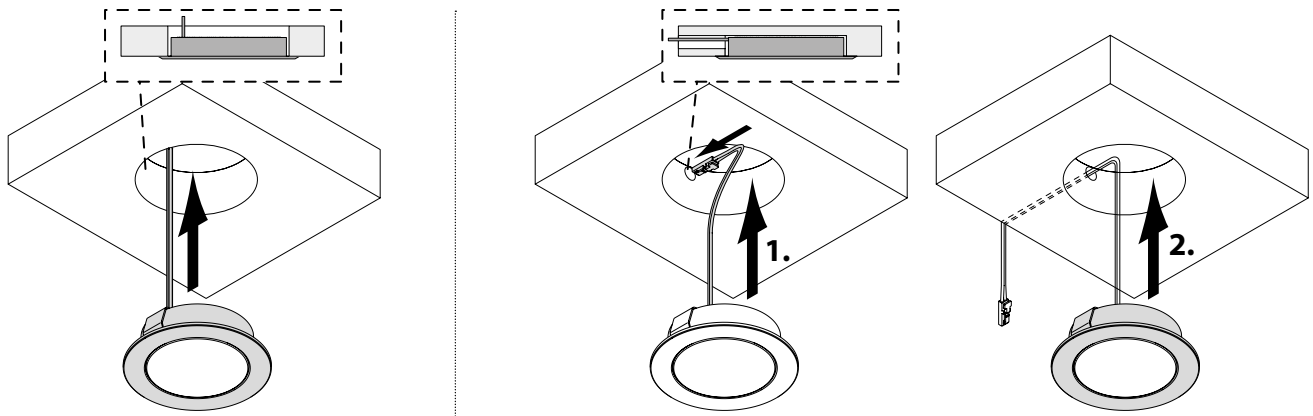


Stainless steel look

DIMENSIONS

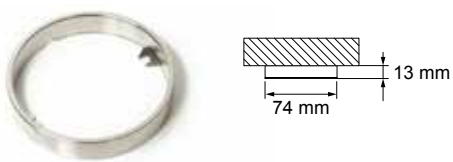


INSTALLATION



ACCESSORIES

Spacer ring for Chip 58 / Chip 68



SPACER RING	REF.	THEOFILS
Stainless steel look 68	2000018	310081



# SUPERLIGHT

- \ Recessed luminaire with high quality stainless steel look
- \ Reflector for glare-free light
- \ Only 2 mm edge height
- \ Pin hole 55-58 mm
- \ Dimmable with continuously adjustable color temperature through emotion technology

**!** \* The LED lights up Warm white without Emotion control. With the adapter 3904446 it lights up Cool white.

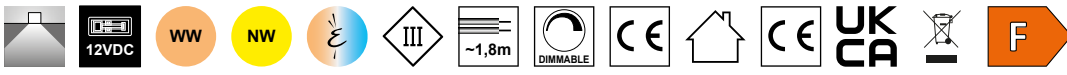
## PRODUCT FEATURES

Type of Light: Recessed light  
 Operating voltage: 12 V  
 Power: 2,7 W / 2,9 W  
 Colour temperature: Warm white / Natural white / Emotion  
 Start Colour Emotion: Warm white  
 Colour rendering: >80  
 Luminous flux: 129 (Ww) / 132 (Nw) / 113-126 lm (Emotion)  
 Luminous efficacy: 47,5-83,3 lm/W  
 LED lifespan: 30000 h  
 Number of LEDs: 9 / 9+9 pcs.  
 Beam angle: 35°  
 IP protection rating: IP20  
 Material: Zinc die-cast  
 Surface / Colour: Stainless steel look / Black  
 Feed line: 1800 mm

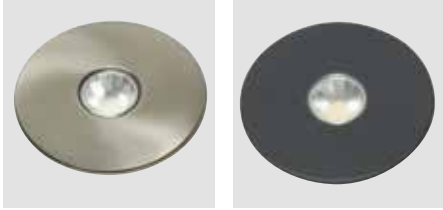
## PHOTOMETRICS

Superlight 58	3000 K	4000 K	2700-6500 K
0 cm			
30 cm	1901 lx	2013 lx	2040-2100 lx
50 cm	702 lx	713 lx	620-702 lx
100 cm	192 lx	213 lx	192-200 lx

SUPERLIGHT	COLOUR TEMPERATURE	POWER (W)	COLOUR	REF.	THEOFILS
Recessed light Superlight	Warm white	2,7	Stainless steel look	<b>2000029</b>	<b>310011</b>
	Natural white			<b>2000030</b>	<b>310012</b>
	Emotion*	2,9		Black	<b>2000483</b>
Emotion adapter cable 12 V				<b>2000436</b>	<b>310077</b>

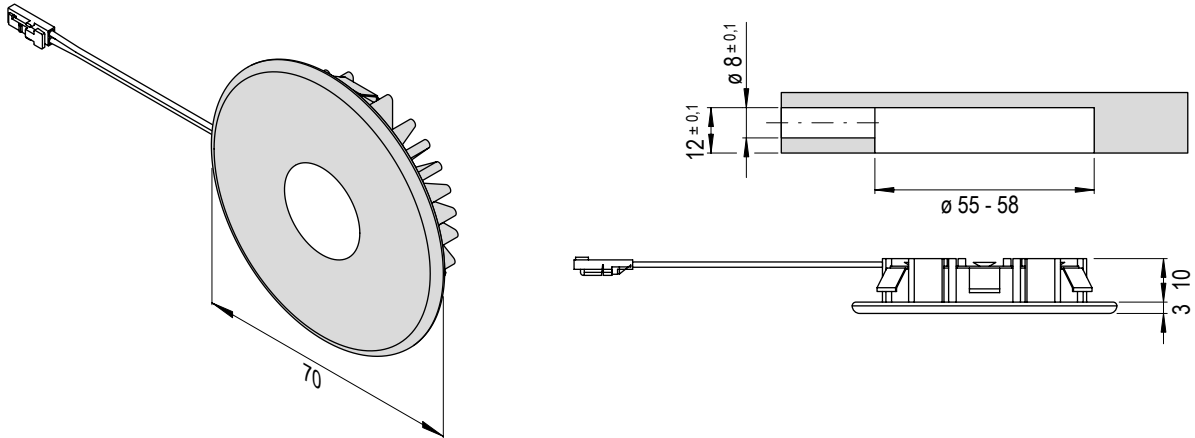


SuperLight

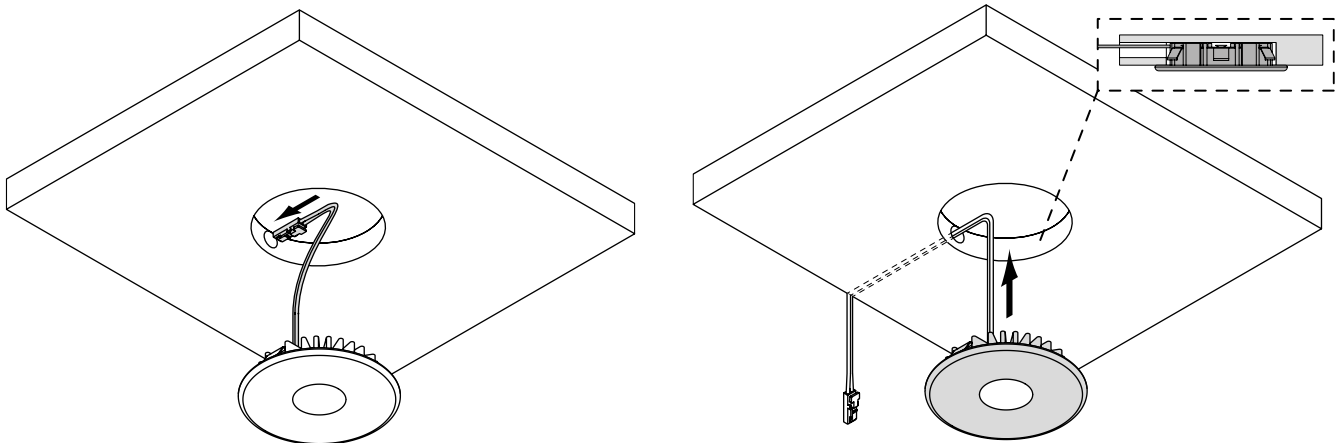


Stainless steel look    Black

DIMENSIONS



INSTALLATION





# SUPER SPOT S EMOTION

- \ Aluminum housing
- \ Ideal for slim aluminum profiles
- \ Reflector for glare-free light
- \ Dimmable with continuously adjustable color temperature through emotion technology

**!** The LED lights up Warm white without Emotion control. With the adapter 2000436 it lights up Cool white.

## PRODUCT FEATURES

Type of Light:	Recessed light
Operating voltage:	12 V
Power:	2,0 W
Colour temperature:	Emotion (2700-6500 K)
Start Colour:	Warm white
Colour rendering:	>80
Luminous flux:	95 lm
Luminous efficacy:	48 lm/W
LED lifespan:	30000 h
Number of LEDs:	9+9 pcs.
Beam angle:	50°
IP protection rating:	IP20
Material:	Aluminum
Surface / Colour:	Silver coloured / Black
Feed line:	2000 mm

## PHOTOMETRICS

Super Spot S Emotion		2700-6500 K
0 cm		
30 cm		1116-1225 lx
50 cm		388-413 lx
100 cm		103-112 lx

SUPER SPOT S EMOTION	COLOUR TEMPERATURE	POWER (W)	COLOUR	REF.	THEOFILS
Recessed spotlight Super Spot S Emotion	Emotion	2,0	Silver coloured	2000052	310169
			Black	2000694	310170
Emotion adapter cable 12 V				2000436	310077



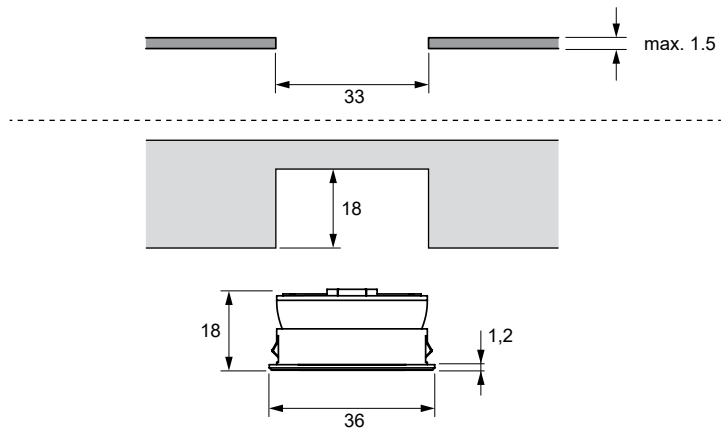
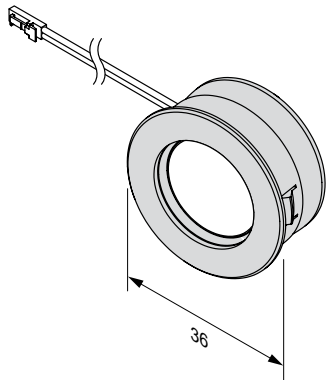
Super Spot S Emotion



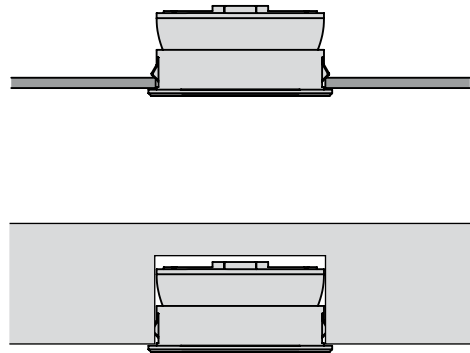
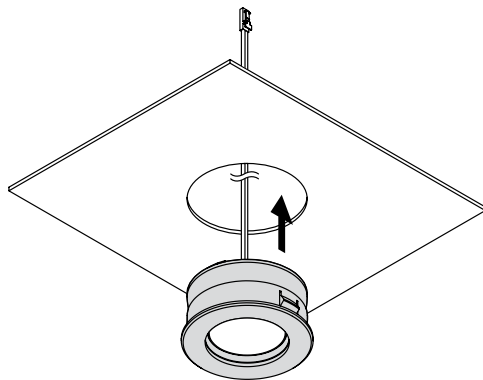
Silver coloured

Black

DIMENSIONS



INSTALLATION



ACCESSORIES

LED converters 12 V



Emotion radio control



LED CONVERTER	REF.	THEOFILS
15 W	2000420	310074
30 W	2000421	310075





# IILED EMOTION RECESSED

- \ Bright LED panel light
- \ Homogeneous illumination
- \ Dimmable with continuously adjustable color temperature through emotion technology

**!** The LED lights up Warm white without Emotion control. With the adapter 2000436 it lights up Cool white.

## PRODUCT FEATURES

Type of Light:	Recessed light
Operating voltage:	12 V
Power:	5,5 W
Colour temperature:	Emotion (2700-6500 K)
Start Colour:	Warm white
Colour rendering:	>80
Luminous flux:	300 lm
Luminous efficacy:	54 lm/W
LED lifespan:	30000 h
Number of LEDs:	60+60 pcs.
Beam angle:	119°
IP protection rating:	IP20
Material:	Plastic
Surface / Colour:	Stainless steel coloured / Black
Feed line:	2000 mm

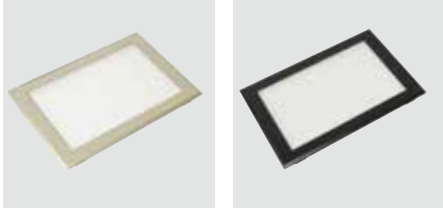
## PHOTOMETRICS

IILED Emotion		2700-6500 K
0 cm	119°	
30 cm		785-980 lx
50 cm		293-353 lx
100 cm		73-88 lx

IILED EMOTION RECESSED	COLOUR TEMPERATURE	SWITCH	COLOUR	REF.	THEOFILS
Recessed light iiLED	Emotion	No	Stainless steel coloured	2000057	310171
			Black	2000496	310172
Emotion adapter cable 12 V				2000436	310077



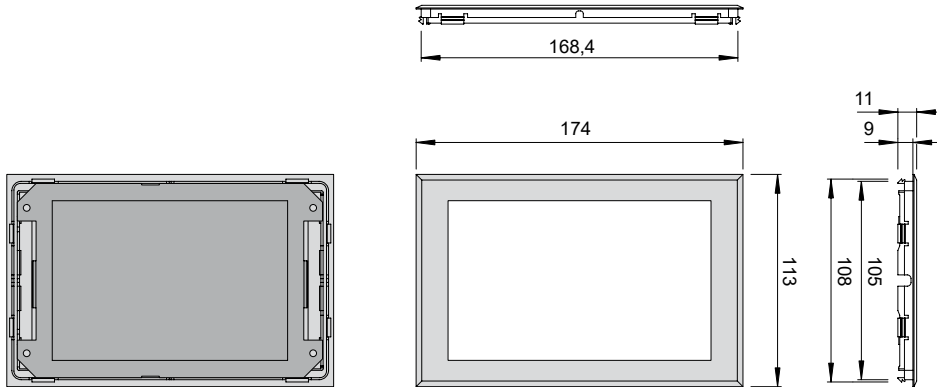
**iiLED Emotion  
Recessed**



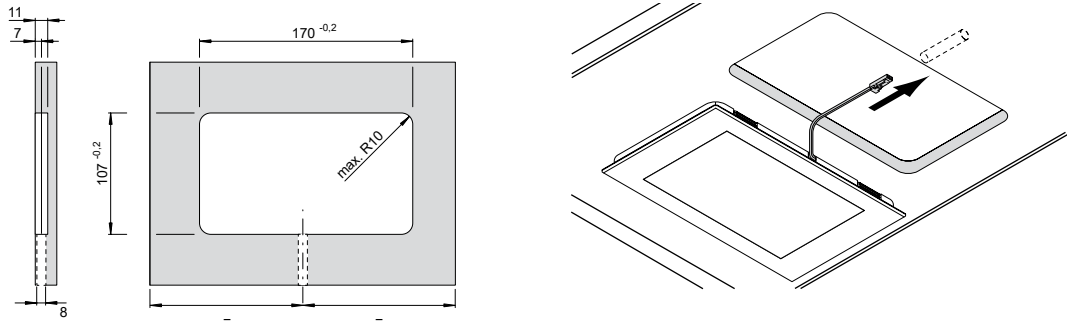
Stainless steel  
coloured

Black

**DIMENSIONS**



**INSTALLATION**



**ACCESSORIES**

**LED converters 12 V**



**Emotion radio control**



LED CONVERTER	REF.	THEOFILS
15 W	2000420	310074
30 W	2000421	310075







# IILED EMOTION SURFACE-MOUNTED

- \ Bright LED panel light
- \ Homogeneous illumination
- \ Master light with IR sensor for switching, dimming and color temperature
- \ Dimmable with continuously adjustable color temperature through emotion technology



The LED lights up Warm white without Emotion control.  
With the adapter 2000436 it lights up Cool white.

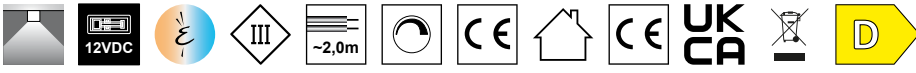
## PRODUCT FEATURES

Type of Light:	Surface-mounted light
Operating voltage:	12 V
Power:	5,5 W
Colour temperature:	Emotion (2700-6500 K)
Start Colour:	Warm white
Colour rendering:	>80
Luminous flux:	300 lm
Luminous efficacy:	54 lm/W
LED lifespan:	30000 h
Number of LEDs:	60+60 pcs.
Beam angle:	119°
IP protection rating:	IP20
Material:	Plastic
Surface / Colour:	Stainless steel coloured / White / Black
Feed line:	2000 mm

## PHOTOMETRICS

IILED Emotion		2700-6500 K
0 cm	119°	
30 cm		785-980 lx
50 cm		293-353 lx
100 cm		73-88 lx

IILED EMOTION SURFACE-MOUNTED	COLOUR TEMPERATURE	SWITCH	COLOUR	REF.	THEOFILS
Surface-mounted light iiLED	Emotion	No	Stainless steel coloured	<b>2000059</b>	<b>310016</b>
		IR-Sensor		<b>2000060</b>	<b>310017</b>
		No	White	<b>2000061</b>	<b>310018</b>
			Black	<b>2000544</b>	<b>310019</b>
Emotion adapter cable 12 V				<b>2000436</b>	<b>310077</b>



**iLED Emotion**  
Surface-mounted



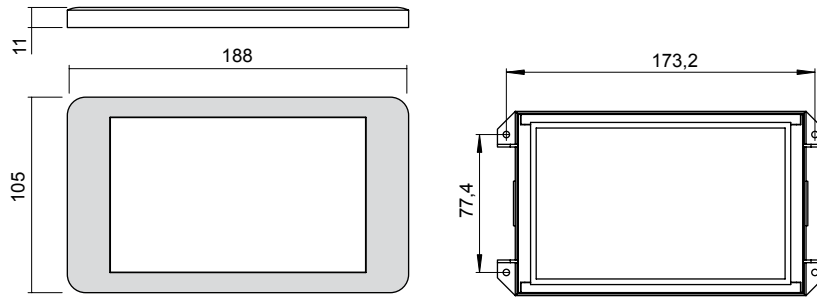
Stainless steel coloured

Stainless steel coloured with sensor

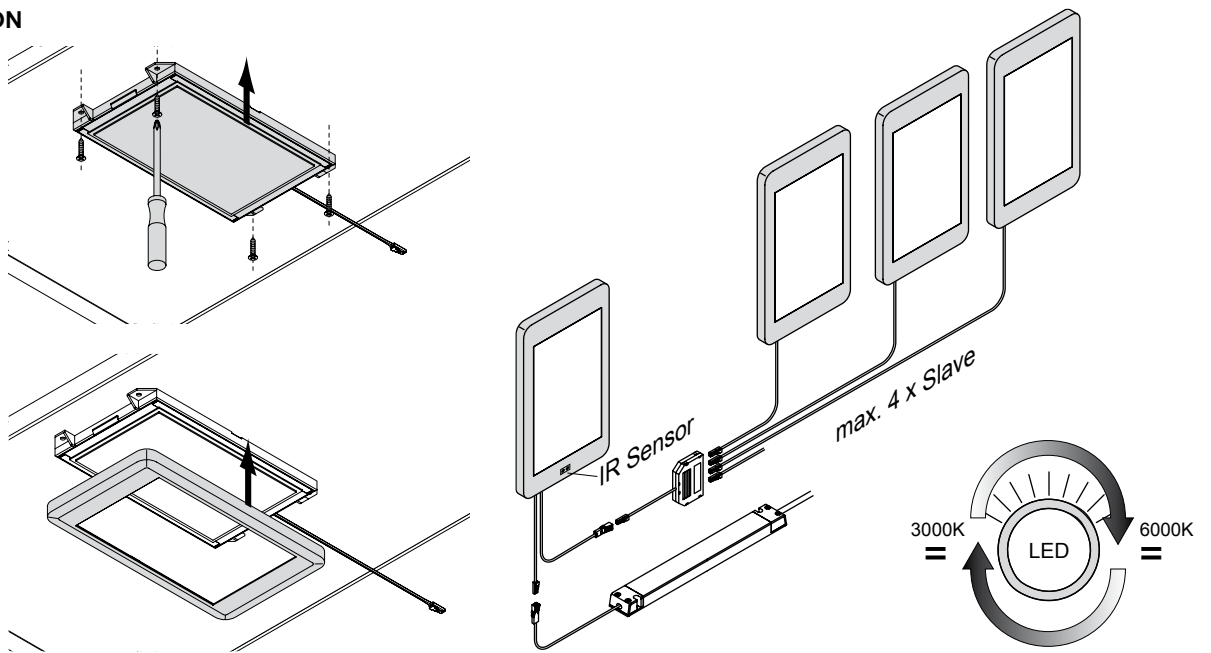
White

Black

**DIMENSIONS**



**INSTALLATION**





# BASE EMOTION

- \ Ideal as a discreet pedestal light
- \ Diffuse light source without light spots
- \ Dimmable with continuously adjustable color temperature through emotion technology



The LED lights up Warm white without Emotion control.  
With the adapter 3904446 it lights up Cool white.

## PRODUCT FEATURES

Type of Light:	Pedestal spotlight
Operating voltage:	12 V
Power:	0,3 W
Colour temperature:	Emotion (2700-6500 K)
Start Colour:	Warm white
Colour rendering:	>80
Energieeffizienz:	A++ - -A
Luminous flux:	16 - 17,5 lm
Luminous efficacy:	53-58 lm/W
LED lifespan:	30000 h
Number of LEDs:	4+4 pcs.
Beam angle:	69°
IP protection rating:	IP20
Material:	Plastic / Edelstahl
Surface / Colour:	Brushed stainless steel
Feed line:	2000 mm

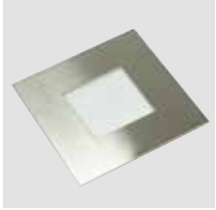
## PHOTOMETRICS

Base Emotion 55	2700-6500 K
0 cm	
30 cm	675 lx
50 cm	232 lx
100 cm	64 lx

BASE	COLOUR TEMPERATURE	POWER (W)	REF.	THEOFILS
Pedestal spotlight Base	Emotion	0,3	2000056	310015
Emotion adapter cable 12 V			2000436	310077

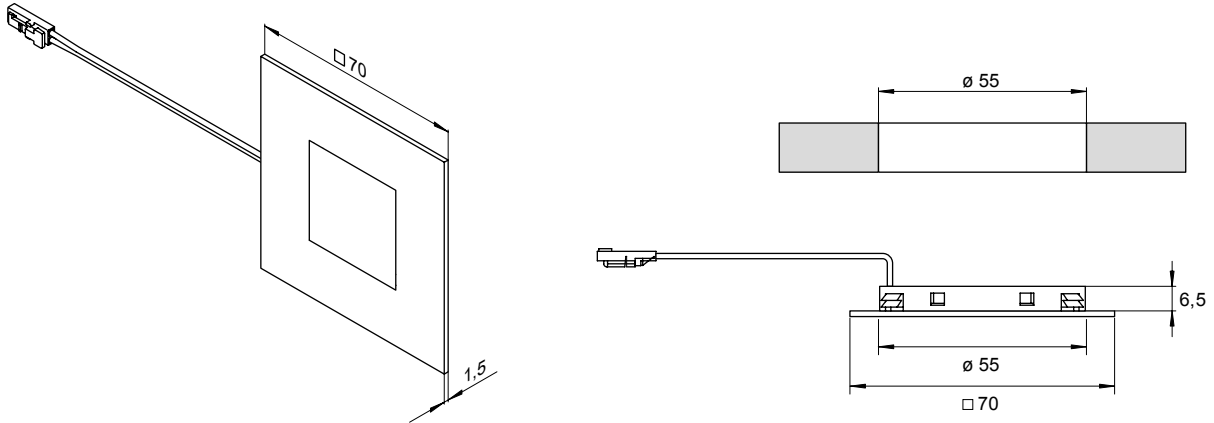


## Base Emotion

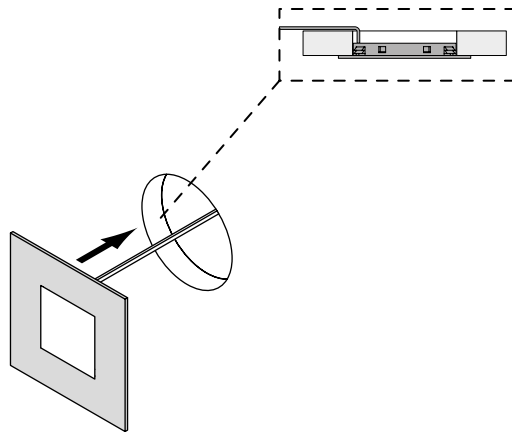


Brushed stainless steel

## DIMENSIONS



## INSTALLATION





# SIX BIG

- \ High quality aluminum housing
- \ Diffuse light source without light spots
- \ Master Luminaire 4000 K with ON/OFF Switch
- \ Master Luminaire Emotion with switch for ON/OFF/ Dimming/Light temperature
- \ Set including LED converter and distributor
- \ Mounting jig included

## PRODUCT FEATURES

Type of Light: Surface-mounted light  
 Operating voltage: 12 V  
 Power: 4,0 W (per light)  
 Colour temperature: Natural white (4000 K), Emotion (2700-6500 K)  
 Colour rendering: >80  
 Luminous flux: 287 lm (Nw / per light) 216-235 lm (Emotion / per light)  
 Luminous efficacy: 50 lm/W  
 LED lifespan: ~30000 h  
 Number of LEDs: 18 per light (Nw)  
 Beam angle: 77°  
 IP protection rating: IP20  
 Material: Aluminum  
 Surface / Colour: Brushed aluminum / Brushed black  
 Feed line: 200 + 1800 mm  
 LED converter: Class II SELV LED converter, 12 V, 20 W, 1,67 A

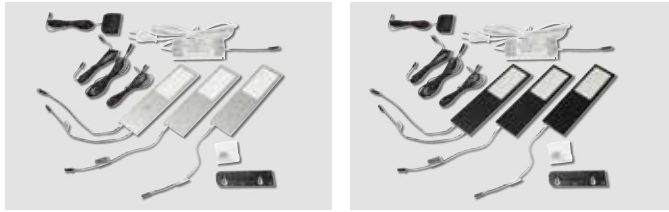
## PHOTOMETRICS

Six Big	4000 K	2700-6500 K
0 cm		
30 cm	852 lx	804-882 lx
50 cm	295 lx	277-305 lx
75 cm	134 lx	124-137 lx
100 cm	84 lx	76-84 lx

SIX BIG	COLOUR TEMPERATURE	POWER (W)	SWITCH	COLOUR	REF.	THEOFILS
Set of 3	Natural white	3x 4,0	Yes (Master)	Brushed aluminum	2000635	310020
	Emotion				2000809	310021
	Natural white			2000637	310022	
	Emotion			2000811	310023	



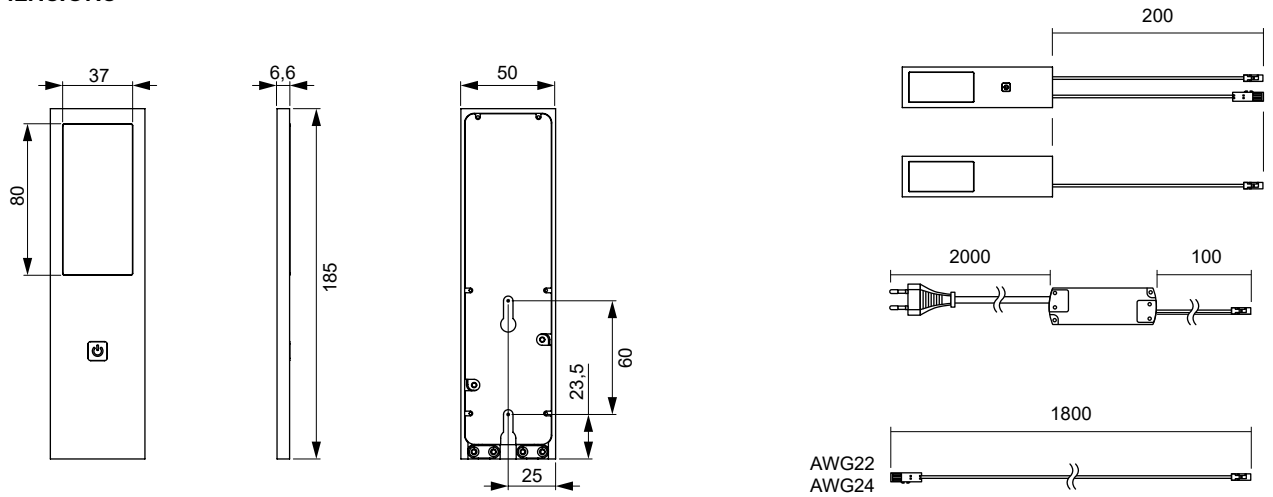
Six Big Set of 3



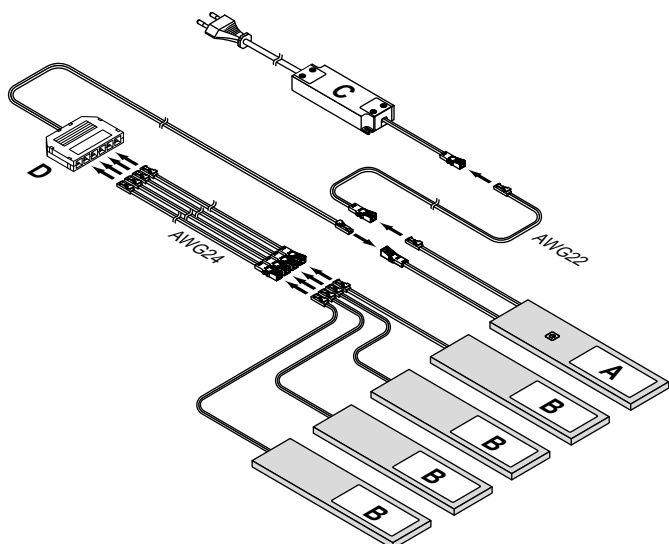
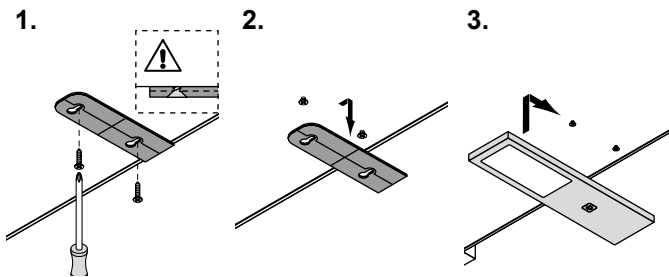
Brushed aluminum

Brushed black

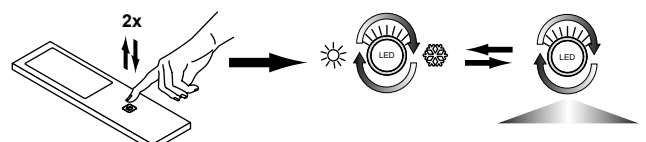
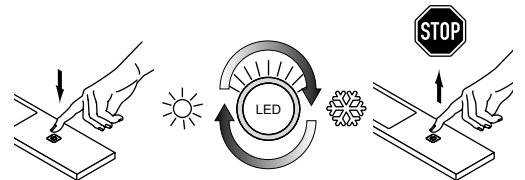
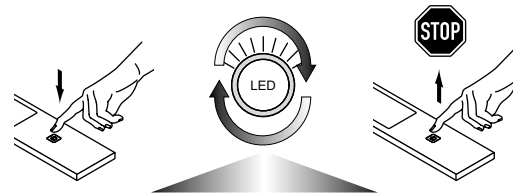
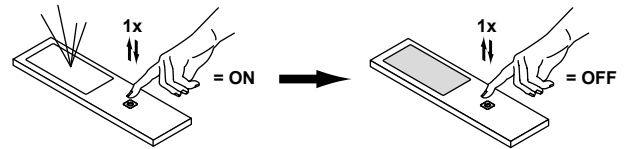
DIMENSIONS



INSTALLATION



OPERATION





# GLASPOINT / WOODPOINT EMOTION

- \ Small dimensions
- \ Radiation up and down
- \ Dimmable with continuously adjustable color temperature through emotion technology
- \ Glaspoint vadjustable for 6-10 mm glass shelves
- \ Woodpoint adjustable for 16 or 19mm shelves

**!** The LED lights up Warm white without Emotion control.  
With the adapter 3904446 it lights up Cool white.

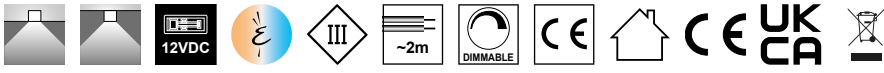
## PRODUCT FEATURES

Type of Light:	Recessed light / Surface-mounted light
Operating voltage:	12 V
Power:	0,8 W
Colour temperature:	Emotion (2700-6500 K)
Start Colour:	Warm white
Colour rendering:	>80
Luminous flux:	44-53 lm
Luminous efficacy:	55-66 lm/W
LED lifespan:	30000 h
Number of LEDs:	6+6 pcs.
Beam angle:	60°
IP protection rating:	IP20
Material:	Plastic
Surface / Colour:	Stainless steel coloured / Black
Feed line:	2000 mm

## PHOTOMETRICS

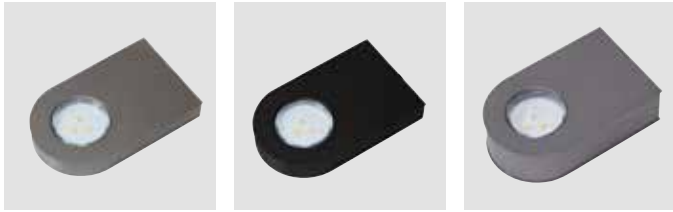
Glaspoint/Woodpoint		2700-6500 K
0 cm		
30 cm		101-117 lx
50 cm		39-50 lx
100 cm		7-8 lx

GLASPOINT / WOODPOINT EMOTION	COLOUR TEMPERATURE	POWER (W)	COLOUR	REF.	THEOFILS
Surface-mounted light Glaspoint	Emotion	0,8	Stainless steel coloured	2000073	310024
			Black	2000765	310025
Recessed light Woodpoint			Stainless steel coloured	2000074	310026
Emotion adapter cable 12 V				2000436	310077



**Glaspoint Emotion**

**Woodpoint Emotion**

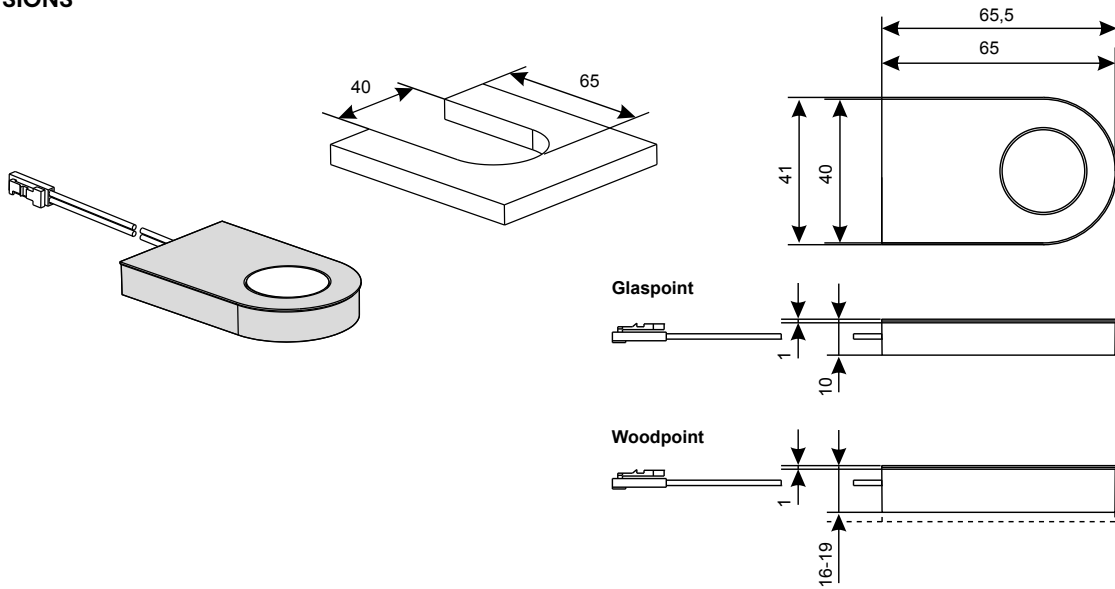


Stainless steel coloured

Black

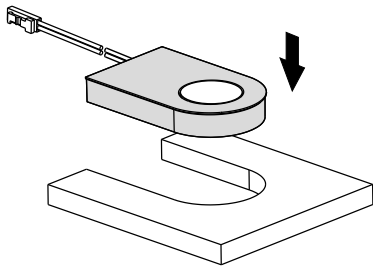
Stainless steel coloured

**DIMENSIONS**

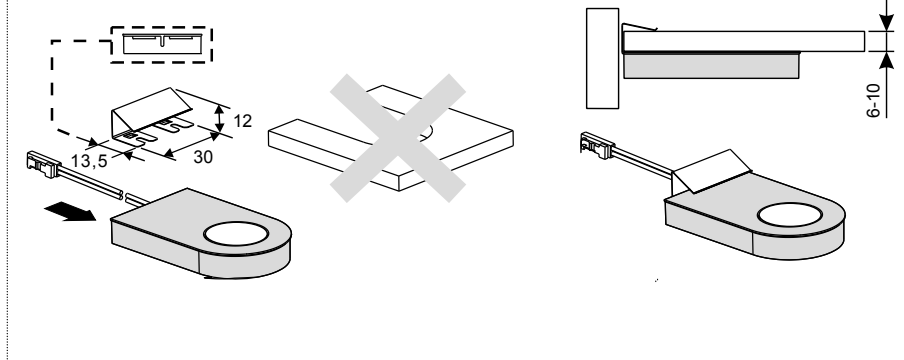


**INSTALLATION**

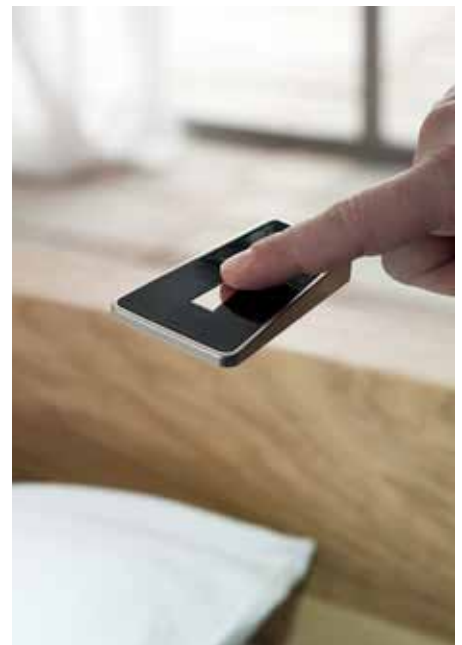
**Installation A**



**Installation B (Woodpoint)**







# AREA LIGHT

- \ Design bed reading lamp
- \ Flexible light arm
- \ Three dimming levels
- \ Available as a single lamp or as a set

## PRODUCT FEATURES

Type of Light:	Bed reading light
Operating voltage:	12 V
Power:	2,0 W
Colour temperature:	Warm white (3000 K)
Colour rendering:	>80
Luminous flux:	150 lm
Luminous efficacy:	75 lm/W
LED lifespan:	30000 h
Number of LEDs:	30 pcs.
Beam angle:	60°
IP protection rating:	IP20
Material:	Plastic
Surface / Colour:	Black/Stainless steel coloured White/Stainless steel coloured
Feed line:	1800 mm

## PHOTOMETRICS

Area Light		3000 K
0 cm		
30 cm		590 lx
50 cm		210 lx
100 cm		60 lx

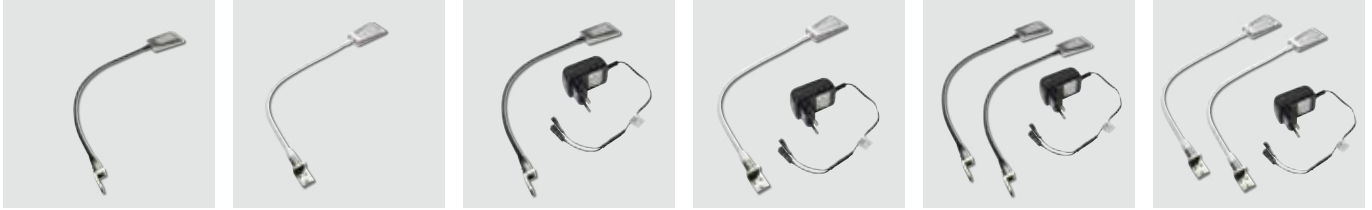
AREA LIGHT	COLOUR TEMPERATURE	POWER (W)	COLOUR	REF.	THEOFILS
Set of 1 Bedside lamp Area Light	Warm white	2,0	Black	2000182	310173
			White	2000183	310174



**Area Light**

**Area Light Set of 1**

**Area Light Set of 2**



Black

White

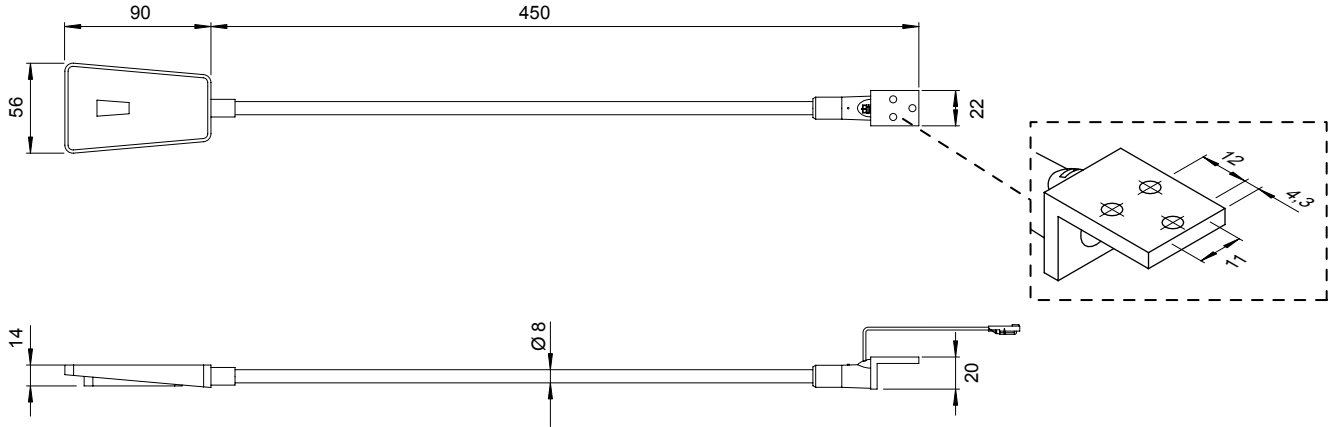
Black

White

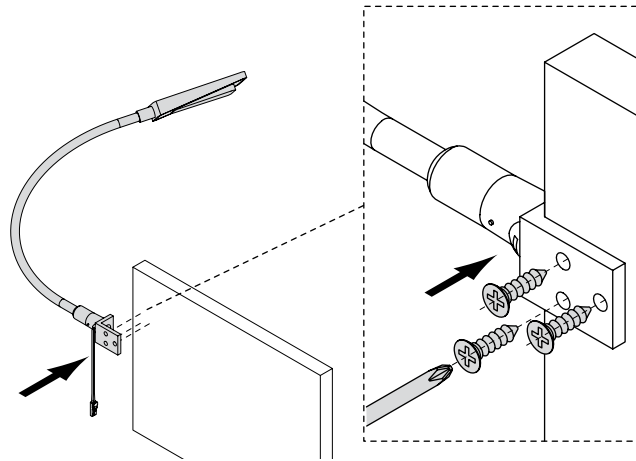
Black

White

**DIMENSIONS**



**INSTALLATION**



**ACCESSORIES**

LED converters 12 V, refer to page 236



LED CONVERTER	REF.	THEOFILS
15 W	2000420	310074
30 W	2000421	310075





# MALINDI EMOTION

- \ Elegant LED recessed lighting profile with a low installation height
- \ Diffuse light source without light spots
- \ Scratch-resistant surface
- \ Dimmable with continuously adjustable color temperature through Emotion technology
- \ With end caps and metal clips for mounting
- \ Special lengths on request

**!** The LED lights up Warm white without Emotion control.  
With the adapter 2000436 it lights up Cool white.

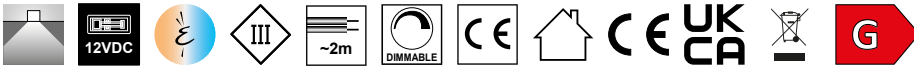
## PRODUCT FEATURES

Type of Light:	Recessed light
Operating voltage:	12 V
Power /m:	15,5 W
Colour temperature:	Emotion (2700-6500 K)
Start colour:	Warm white
Colour rendering:	>80
Luminous flux /m:	1170-1440 lm
Luminous efficacy:	75-93 lm/W
LED lifespan:	30000 h
Number of LEDs /m:	120+120
Beam angle:	66°
IP protection rating:	IP20
Material:	Aluminum
Surface / Colour	Opal
Feed line:	2000 mm

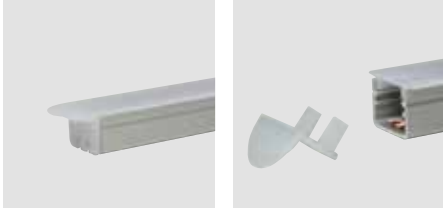
## PHOTOMETRICS

Malindi (L = 1167 mm)		2700-6500 K
0 cm	66°	
30 cm		978-1082 lx
50 cm		503-535 lx
100 cm		200-229 lx

MALINDI EMOTION	COLOUR TEMPERATURE	LENGTH (mm)	POWER (W)	REF.	THEOFILS
Recessed light Malindi Emotion	Emotion	367	4,7	2000088	310027
		467	6,2	2000089	310028
		567	7,8	2000090	310029
		867	12,4	2000091	310030
		1167	17,1	2000092	310031

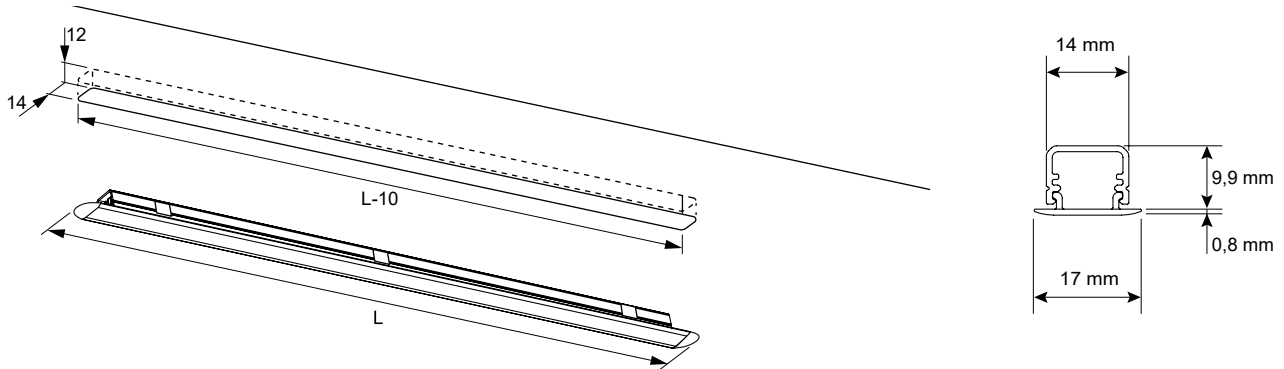


**Malindi Emotion**

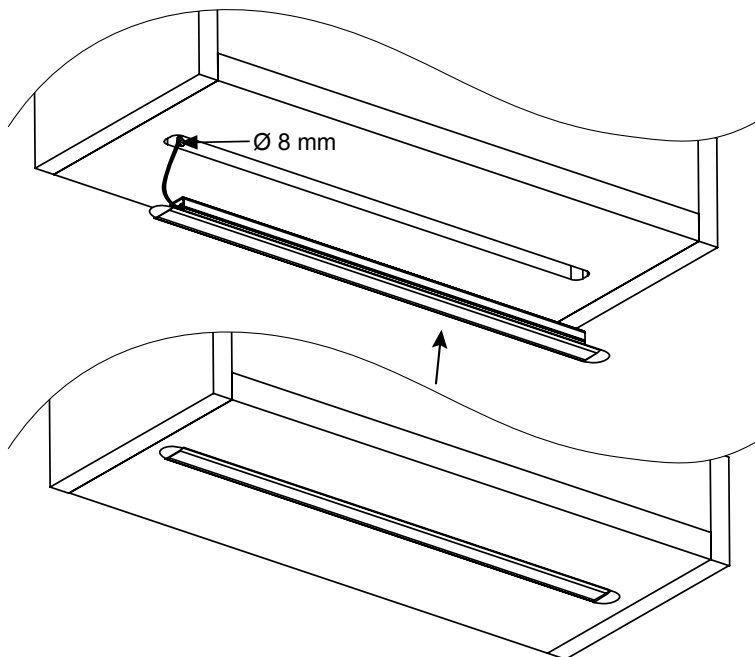


Aluminum

**DIMENSIONS**



**INSTALLATION**



**ACCESSORIES**

**LED adapter cable**



**LED converters 12 V**



**Emotion radio control**



LED ADAPTER CABLE	REF.	THEOFILS
12 V	2000436	310077

LED CONVERTER	REF.	THEOFILS
15 W	2000420	310074
30 W	2000421	310075



# MANILA IV EMOTION

- \ Elegant LED recessed profile with a small installation depth
- \ Diffuse light source without light spots
- \ Dimmable with continuously adjustable color temperature through Emotion technology
- \ With end caps and metal clips for mounting

**!** The LED lights up Warm white without Emotion control. With the adapter 2000436 it lights up Cool white.

## PRODUCT FEATURES

Type of Light:	Recessed light
Operating voltage:	12 V
Power /m:	15,5 W
Colour temperature:	Emotion (2700-6500 K)
Start colour:	Warm white
Colour rendering:	>80
Luminous flux /m:	1170-1440 lm
Luminous efficacy:	75-93 lm/W
LED lifespan:	30000 h
Number of LEDs /m:	120+120
Beam angle:	70°
IP protection rating:	IP20
Material:	Aluminum
Surface / Colour	Stainless steel coloured/Opal
Feed line:	2000 mm

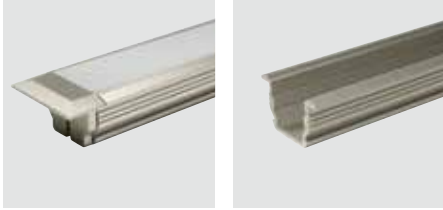
## PHOTOMETRICS

Manila IV (L = 1000 mm)		2700-6500 K
0 cm		
30 cm		1407-1475 lx
50 cm		735-767 lx
100 cm		284-297 lx

MANILA IV EMOTION	COLOUR TEMPERATURE	LENGTH (mm)	POWER (W)	REF.	THEOFILS
Recessed light Manila	Emotion	367	5,04	2000093	310175
		467	6,56	2000094	310176
		567	8,14	2000095	310177
		767	11,24	2000096	310178
		867	12,97	2000097	310179
		967	14,34	2000098	310180
		1167	17,44	2000099	310181
Emotion adapter cable 12 V				2000436	310077

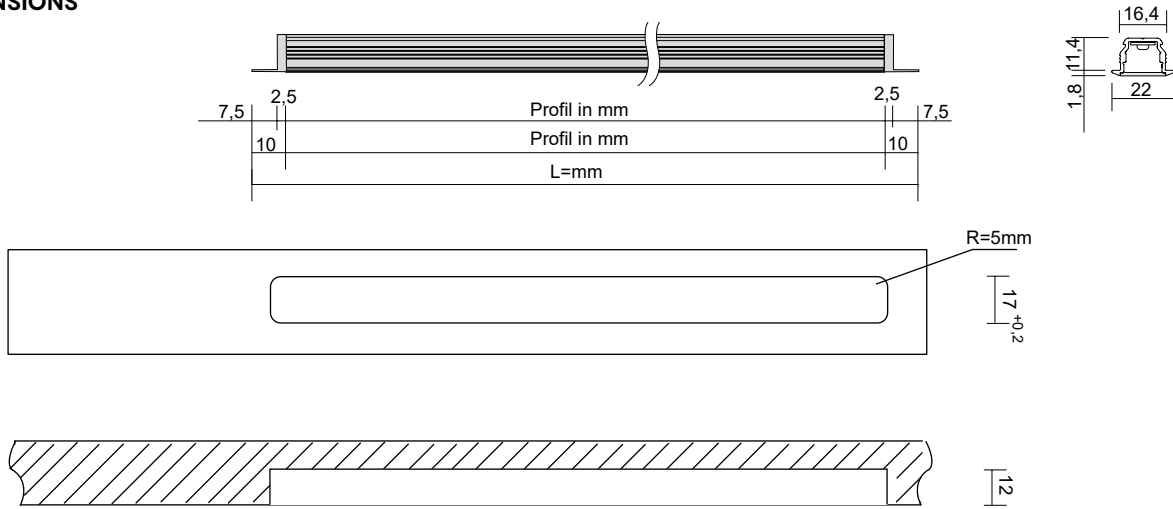


Manila IV Emotion

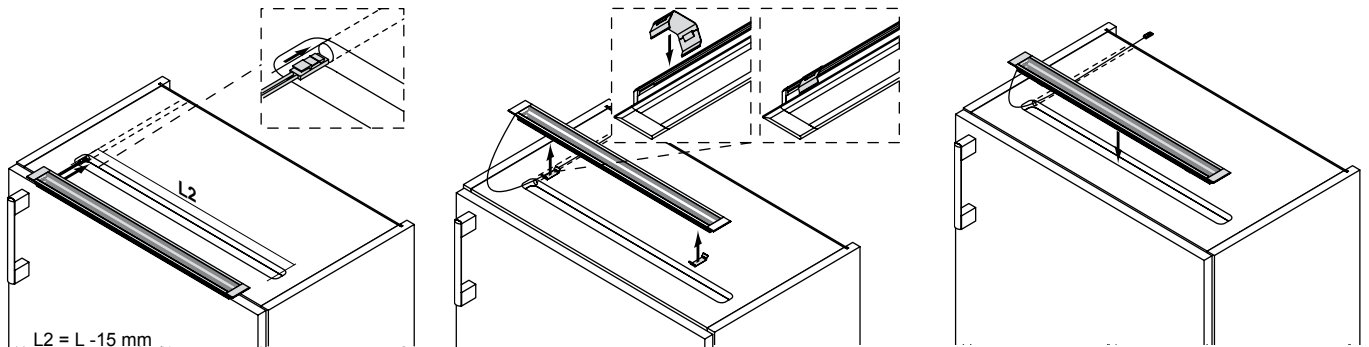


Stainless steel coloured

DIMENSIONS



INSTALLATION



ACCESSORIES

LED converters 12 V



Emotion radio control



LED CONVERTER	REF.	THEOFILS
15 W	2000420	310074
30 W	2000421	310075





# LILIUM EMOTION

- Surface mounted luminaire for damp environments (IP 44)
- Dimmable with continuously adjustable color temperature through Emotion technology

**!** The LED lights up Warm white without Emotion control. With the adapter 2000436 it lights up Cool white.

## PRODUCT FEATURES

Type of Light:	Surface mounted light for mirrors
Operating voltage:	12 V
Power:	7,0-12 W
Colour temperature:	Emotion (2700-6500 K)
Start colour:	Warm white
Colour rendering:	>80
Luminous flux:	399 lm (L = 500 mm)
Luminous efficacy:	57 lm/W
LED lifespan:	30000 h
Beam angle:	90°
IP protection rating:	IP44
Material:	Plastic
Surface / Colour	Chrome/Opal / Black/Opal
Feed line:	600 mm

## PHOTOMETRICS

Lilium Emotion (L = 500 mm)		2700-6500 K
0 cm	90°	
30 cm		1070 lx
50 cm		457 lx
100 cm		145 lx

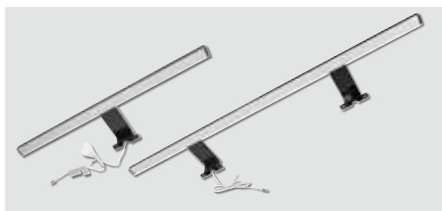
LILIUM EMOTION	COLOUR TEMPERATURE	WIDTH (mm)	POWER (W)	COLOUR	REF.	THEOFILS
Surface-mounted light Lilium	Emotion	500	7,0	Chrome	2000174	310185
		800	8,0		2000648	310186
		1000	10,0		2000649	310187
		1200	12,0		2000650	310188
		500	7,0	Black	2000714	310189
		800	8,0		2000722	310190
		1000	10,0		2000723	310191
		1200	12,0		2000715	310192
Emotion adapter cable 12 V					2000436	310077



Lilium Emotion



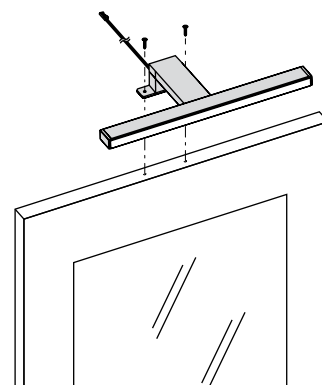
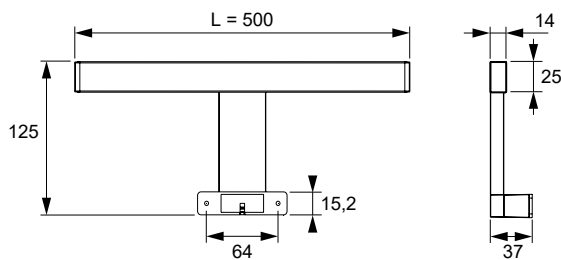
Chrome



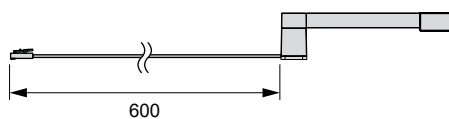
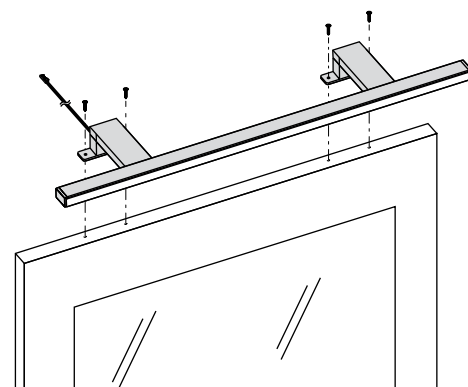
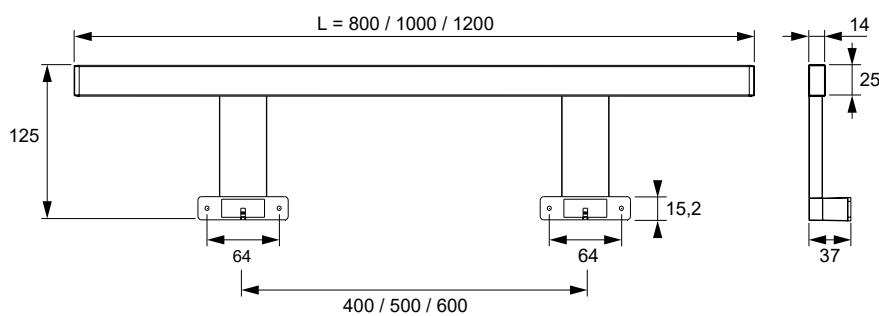
Black

DIMENSIONS / INSTALLATION

**A**



**B**



ACCESSORIES

LED converters 12 V



Emotion radio control



LED CONVERTER	REF.	THEOFILS
15 W	2000420	310074
30 W	2000421	310075





# NUBIO EMOTION

- \ Can be used as counter top lighting, backlighting, base lighting
- \ Diffuse light source without light spots
- \ Adhesive mounting with mounting brackets
- \ Dimmable with continuously adjustable color temperature through Emotion technology
- \ Special lengths on request

**!** The LED lights up Warm white without Emotion control. With the adapter 2000436 it lights up Cool white.

## PRODUCT FEATURES

Type of Light:	Surface-mounted light
Operating voltage:	12 V
Power /m:	7,8 W
Colour temperature:	Emotion (2700-6500 K)
Start colour:	Warm white
Colour rendering:	>80
Luminous flux /m:	177-200 lm
Luminous efficacy:	23-26 lm/W
LED lifespan:	30000 h
Number of LEDs /m:	60+60 pcs.
Beam angle:	100°
IP protection rating:	IP20
Material:	Plastic
Surface / Colour	Stainless steel look (foiled)/Opal
Feed line:	2x 2000 mm

## PHOTOMETRICS

Nubio Emotion (L = 1000 mm)		2700-6500 K
0 cm	100°	
30 cm		190 lx
50 cm		100 lx
100 cm		40 lx

NUBIO EMOTION	COLOUR TEMPERATURE	LENGTH (mm)	POWER (W)	REF.	THEOFILS
Surface-mounted light Nubio (including 2 end caps and mounting brackets)	Emotion	2500	19,5	2000107	310036
Accessory bag Nubio: 2x end cap, 1x inside corner, 1x outside corner, connector				2000108	310037
Emotion adapter cable 12 V				2000436	310077



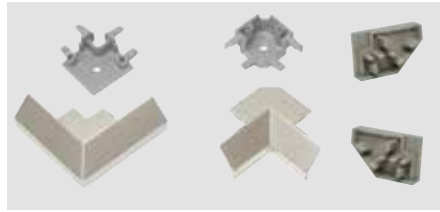
**Nubio Emotion**

**Mountig brackets**

**Nubio Accessories**



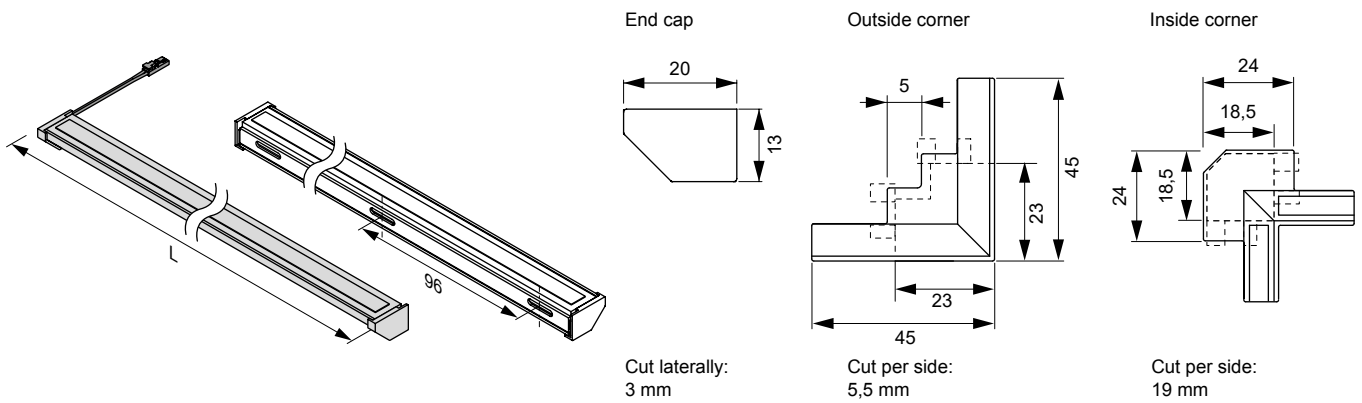
Stainless steel look



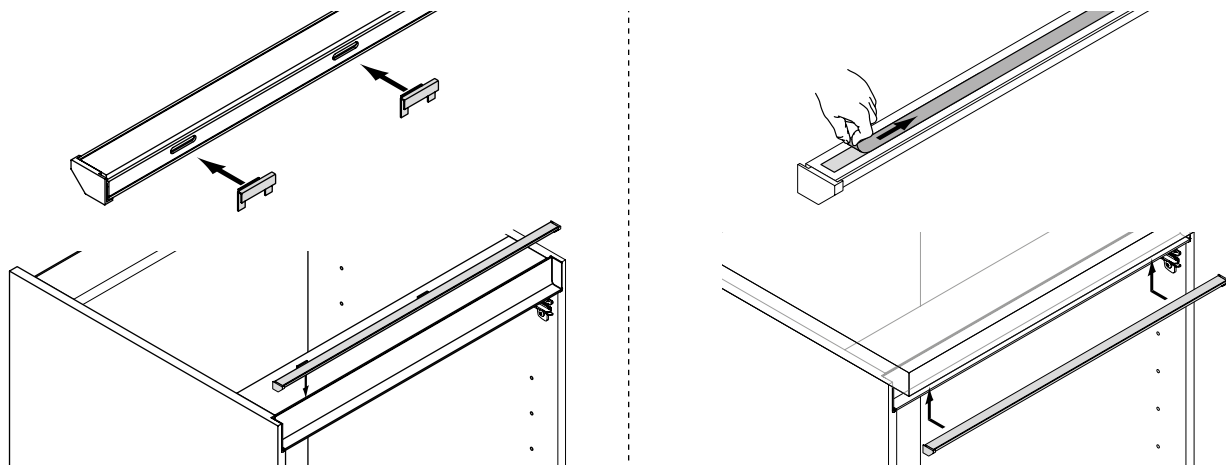
Stainless steel coloured



**DIMENSIONS**



**INSTALLATION**



**ACCESSORIES**

**LED converters 12 V**



**Emotion radio control**



LED CONVERTER	REF.	THEOFILS
15 W	2000420	310074
30 W	2000421	310075





# KITON EDC

- \ Surface-mounted luminaire in a low aluminum profile
- \ Installation in cupboards or drawers
- \ Integrated IR sensor
- \ Light temperature can be changed from Warm white to Natural white
- \ Including cable duct

## PRODUCT FEATURES

Type of Light: Cupboard interior light  
 Operating voltage: 12 V  
 Power: 4,6-14,3 W  
 Colour temperature: Emotion Dual Colour (3000 K/4000 K), manual changeover via sensor  
 Colour rendering: >80  
 Luminous flux: 293 lm (L = 561 mm)  
 Luminous efficacy: 45 lm/W  
 LED lifespan: 30000 h  
 Number of LEDs /m: 120+120  
 Beam angle: 90°  
 IP protection rating: IP20  
 Material: Aluminum  
 Surface / Colour: Black/Opal  
 Feed line: 3000 mm

## PHOTOMETRICS

Kiton (L = 561 mm)		3000 K	4000 K
0 cm	90°		
30 cm		438 lx	472 lx
50 cm		189 lx	203 lx
100 cm		57 lx	62 lx

KITON EDC	COLOUR TEMPERATURE	SENSOR	LENGTH (mm)	POWER (W)	REF.	THEOFILS
Cupboard interior light Kiton	Warm white/ Natural white	1x	261	2,6	2000489	310038
			361	3,9	2000490	310039
			411	4,6	2000114	310040
			461	5,2	2000115	310041
			511	5,8	2000518	310042
			561	6,5	2000116	310043
			761	9,1	2000491	310044
			861	10,4	2000492	310045
			961	11,7	2000519	310046
		1161	14,3	2000493	310047	
		2x	761	9,1	2000117	310048
			861	10,4	2000118	310049
			1161	14,3	2000119	310050



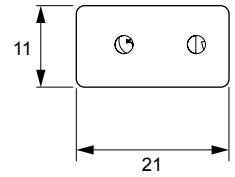
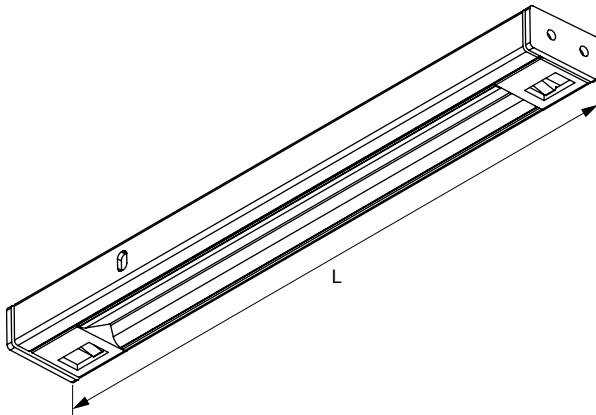
**Kiton EDC**



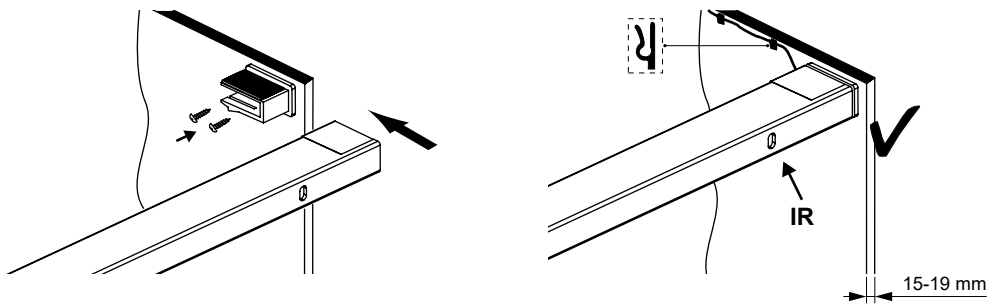
Black



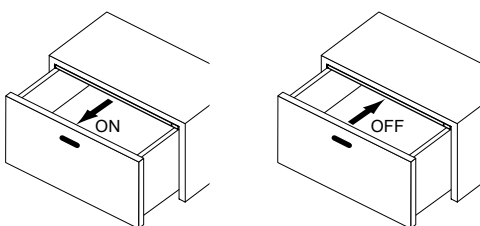
**DIMENSIONS**



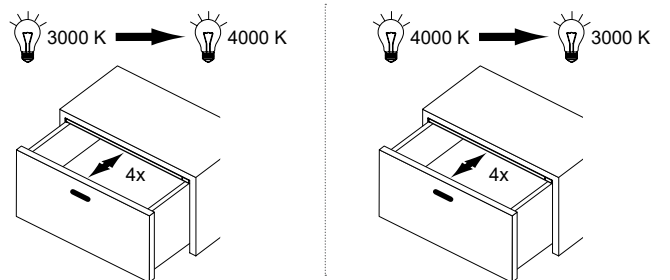
**INSTALLATION**



**FUNCTION**



**CHANGING THE LIGHT COLOR**





# QUATTRO PLUS EMOTION

- \ Slim LED under-cabinet luminaire in aluminum profile
- \ Luminaire can be cut to size individually
- \ LED strip is supplied loose
- \ Easy mounting with mounting clips
- \ Dimmable with continuously adjustable color temperature through Emotion technology

**!** The LED lights up Warm white without Emotion control. With the adapter 2000436 it lights up Cool white.

## PRODUCT FEATURES

Type of Light:	Surface-mounted light
Operating voltage:	12 V
Power /m:	12 W
Colour temperature:	Emotion (2700-6500 K)
Start colour:	Warm white
Colour rendering:	>90
Luminous flux /m:	487-592 lm
Luminous efficacy:	40,6-49,3 lm/W
LED lifespan:	30000 h
Number of LEDs /m:	120+120 pcs.
Beam angle:	70°
IP protection rating:	IP20
Material:	Aluminum
Surface / Colour	Stainless steel coloured/Opal / Black/Opal
Feed line:	2x 2000 mm

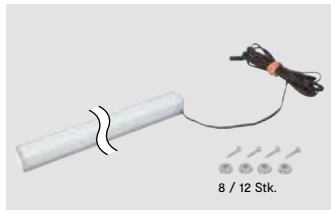
## PHOTOMETRICS

Quattro Plus (L = 1000 mm)	2700-6500 K
0 cm	
30 cm	580-722 lx
50 cm	302-375 lx
75 cm	173-216 lx
100 cm	117-145 lx

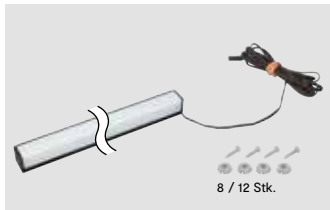
QUATTRO PLUS EMOTION	COLOUR TEMPERATURE	LENGTH (mm)	POWER (W)	COLOUR	REF.	THEOFILS
Under cabinet light Quattro Plus	Emotion	2600	31,2	Stainless steel coloured	2000782	310051
				Black	2000783	310052
		1500	18,0	Stainless steel coloured	2000784	310053
				Black	2000785	310054
Emotion adapter cable 12 V					2000436	310077



**Quattro Plus Emotion**

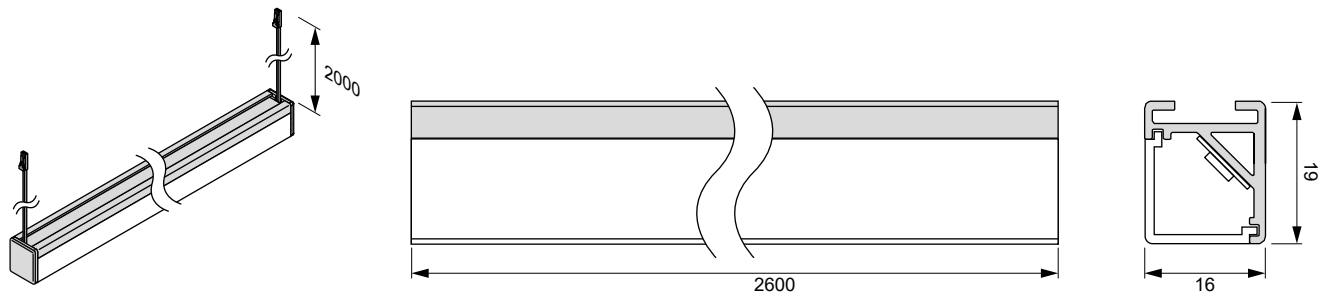


Stainless steel coloured



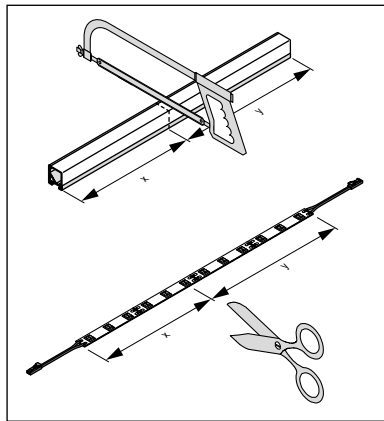
Black

**DIMENSIONS**

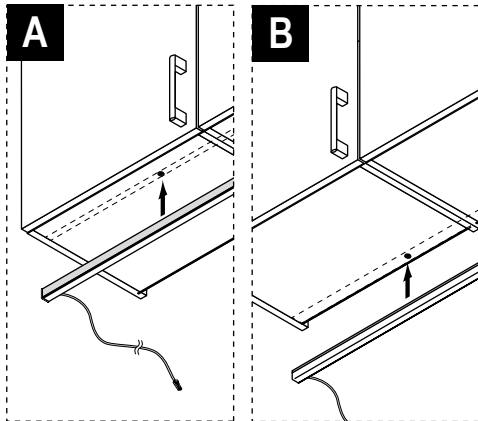


**INSTALLATION**

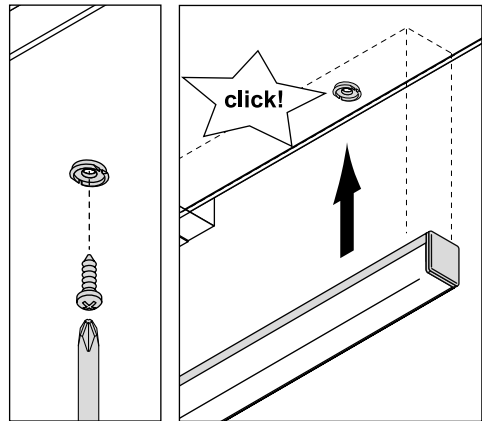
**Shorten**



**Select mounting variant**



**Install**



**ACCESSORIES**

**LED converters 12 V**



**Emotion radio control**



LED CONVERTER	REF.	THEOFILS
15 W	2000420	310074
30 W	2000421	310075





# BALI EMOTION

- \ Slim LED surface-mounted luminaire in an aluminum profile
- \ Easy mounting with mounting clips
- \ Dimmable with continuously adjustable color temperature through Emotion technology

**!** The LED lights up Warm white without Emotion control. With the adapter 2000436 it lights up Cool white.

## PRODUCT FEATURES

Type of Light:	Surface-mounted light
Operating voltage:	12 V
Power /m:	15,5 W
Colour temperature:	Emotion (2700-6500 K)
Start colour:	Warm white
Colour rendering:	>80
Luminous flux /m:	1333-1440 lm
Luminous efficacy:	86-93 lm/W
LED lifespan:	30000 h
Number of LEDs /m:	120+120 pcs.
Beam angle:	70°
IP protection rating:	IP20
Material:	Aluminum
Surface / Colour	Stainless steel coloured/Opal
Feed line:	2700 mm

## PHOTOMETRICS

Bali Emotion (L = 500 mm)	2700-6500 K
0 cm	
30 cm	1580-1650 lx
50 cm	845-935 lx
100 cm	335-365 lx

BALI EMOTION	COLOUR TEMPERATURE	LENGTH (mm)	POWER (W)	REF.	THEOFILS
Surface-mounted light Bali	Emotion	450	6,20	2000142	310055
		500	6,98	2000143	310056
		550	7,75	2000144	310057
		850	12,40	2000145	310058
Emotion adapter cable 12 V				2000436	310077

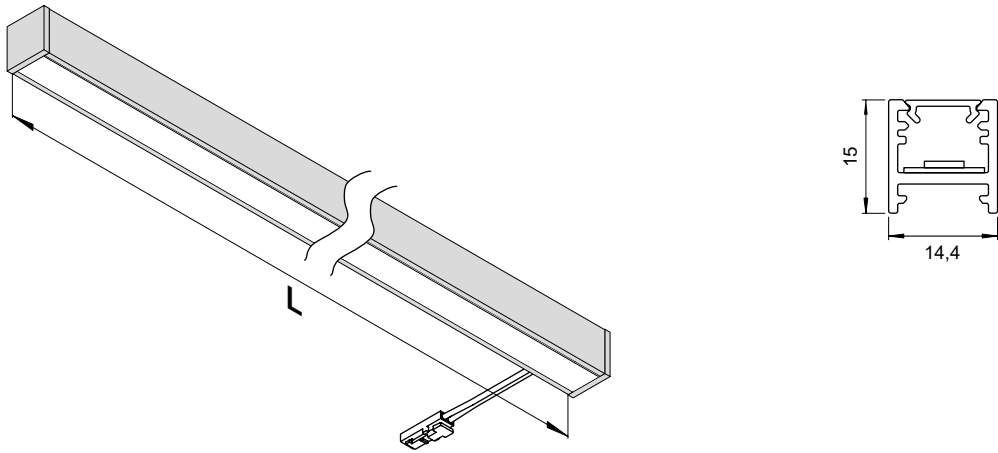


**Bali Emotion**

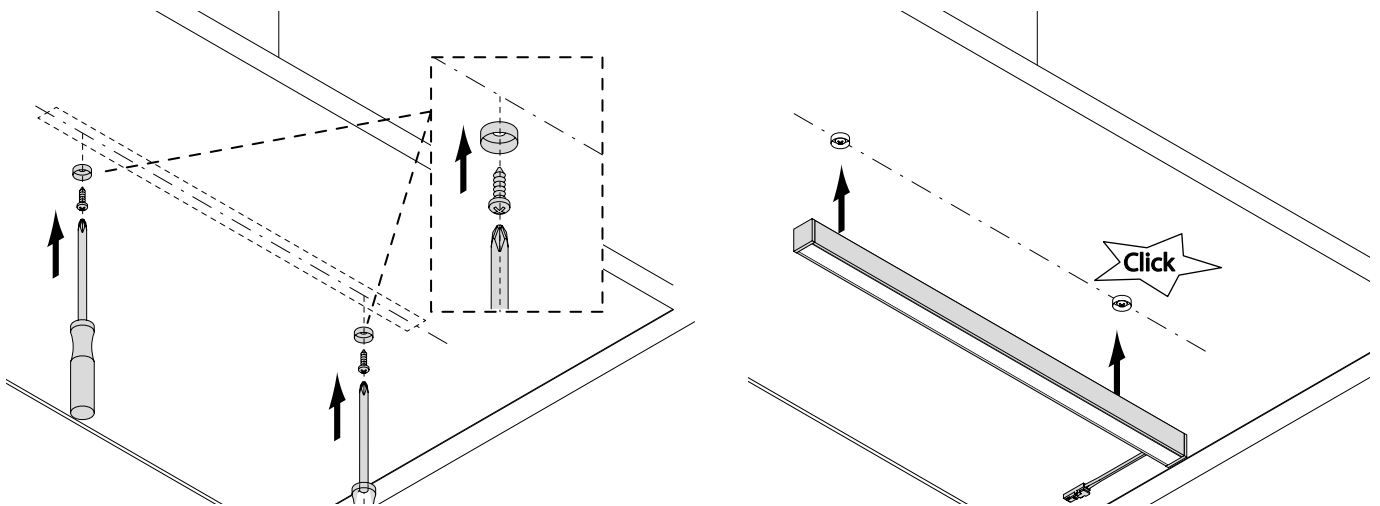


Stainless steel coloured

**DIMENSIONS**



**INSTALLATION**



**ACCESSORIES**

**LED converters 12 V**



**Emotion radio control**



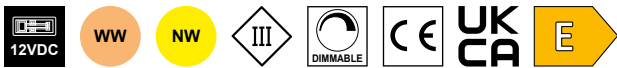
**Mounting set magnetic**



LED CONVERTER	REF.	THEOFILS
15 W	2000420	310074
30 W	2000421	310075

MOUNTING SET	REF.	THEOFILS
Set of 3	2000331	310082





## MINI OCTOPUS 12 V

- Flexible sealed LED strip
- Bending direction on the surface
- Homogeneous illumination



### PRODUCT FEATURES

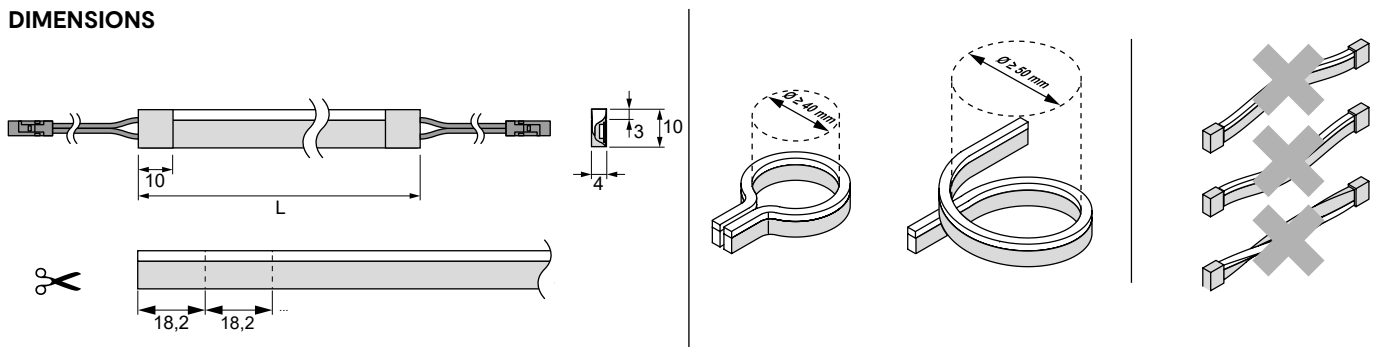
Type of light:	Recessed / Surface-mounted
Operating voltage:	12 V
Dimensions:	4x10 mm
Power /m:	8 W
Colour temperature:	Warm white (3000 K) Natural white (4000 K)
Colour rendering:	>80
Luminous flux /m:	263 (Ww) / 316 (Nw) lm
LED lifespan:	30000 h
Number of LEDs /m:	166 pcs.
Division:	3 / 18 mm
Cutable:	Every 18 mm
Beam angle:	90°
IP protection rating:	IP67
Material:	Plastic
Surface / Colour:	White/Opal
Feed line:	1800 mm

### PHOTOMETRICS

Mini Octopus (L = 1000 mm)	3000 K	4000 K
0 cm		
30 cm	385 lx	434 lx
50 cm	204 lx	232 lx
75 cm	117 lx	132 lx
100 cm	81 lx	91 lx

OCTOPUS	LENGTH (mm)	POWER (W/m)	COLOUR TEMPERATURE	REF.	THEOFILS
LED strip Mlni Octopus	1000	8	Warm white	2000757	310139
	3000			2000755	310140
	1000		Natural white	2000756	310141
	3000			2000754	310142

### DIMENSIONS



### ACCESSORIES

#### Base profile

- For use as a base lighting
- Suitable for 4x10 mm Octopus LED Strip



BASE PROFILES	REF.	THEOFILS
For gluing	2000794	310225
For clipping (15 pcs)	2000793	310226

LED CONVERTER	REF.	THEOFILS
15 W	2000420	310074
30 W	2000421	310075
60 W	2000422	310076



## MINI OCTOPUS EMOTION 12 V

- Flexible sealed LED strip
- Bending direction on the surface
- Homogeneous illumination



### PRODUCT FEATURES

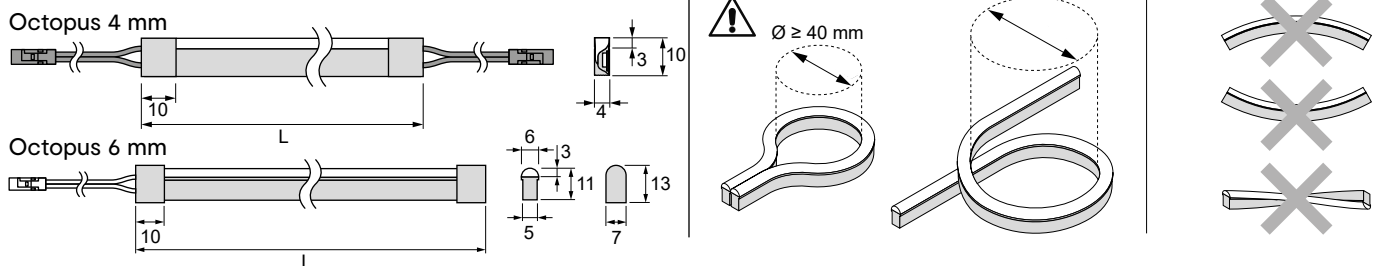
Type of light:	Recessed / Surface-mounted
Operating voltage:	12 V
Dimensions:	4x10 mm
Power /m:	7,2 W W
Colour temperature:	Emotion (3000-6000 K)
Colour rendering:	>90
Luminous flux /m:	119-130 lm
LED lifespan:	30000 h
Number of LEDs /m:	120+120 pcs.
Division:	3+3 / 25 mm
Cutable:	Every 25 mm
Beam angle:	90°
IP protection rating:	IP67
Material:	Plastic
Surface / Colour:	White/Opal
Feed line:	2x 1800 mm

### PHOTOMETRICS

Octopus Emotion (L=2000mm)	3000-6000 K
0 cm	
30 cm	403-411 lx
50 cm	183-205 lx
75 cm	114-117 lx
100 cm	77-80 lx

OCTOPUS	DIMENSIONS (mm)	LENGTH (mm)	POWER (W/m)	COLOUR TEMPERATURE	REF.	THEOFILS
LED strip Mini Octopus Emotion	4x10	2200	7,2	Emotion	2000758	310136
		2600			2000759	310137
		3350			2000760	310138

### DIMENSIONS



### ACCESSORIES

#### Base profile

- For use as a base lighting
- Suitable for 4x10 mm Octopus LED Stripe

BASE PROFILES	REF.	THEOFILS
For gluing	2000794	310225
For clipping (15 pcs)	2000793	310226

### Emotion radio control



LED CONVERTER	REF.	THEOFILS
15 W	2000420	310074
30 W	2000421	310075
60 W	2000422	310076



## TUDO 4,8 / 12 V

- \ Suitable for decorative applications
- \ Compatible with the Tudo modular system



### PHOTOMETRICS

LED Band Tudo (L = 500 mm)	2700 K	3000 K	4000 K	6200 K
0 cm				
30 cm	620 lx	578 lx	589 lx	667 lx
50 cm	270 lx	251 lx	255 lx	287 lx
100 cm	85 lx	80 lx	80 lx	91 lx

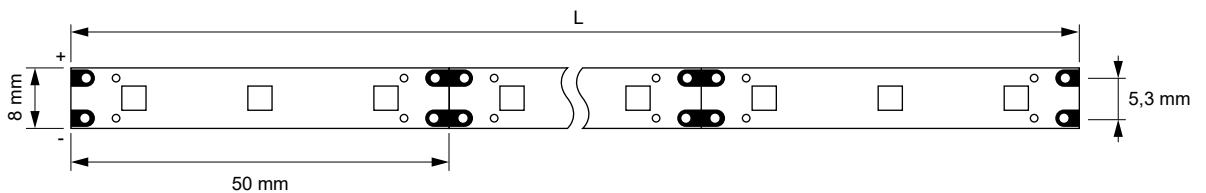
### PRODUCT FEATURES

Operating voltage:	12 V
Dimensions:	8x1,2 mm
Power /m:	4,8 W
Colour temperature:	Extrawarm/Warm/Natural/Cool white
Colour rendering:	>90
Luminous flux /m:	430 lm
Luminous efficacy:	90 lm/W
LED lifespan:	30000 h
Number of LEDs /m:	60
Division:	3 / 50 mm
Cutable:	Every 50 mm
Beam angle:	120°
IP protection rating:	IP20
Surface / Colour:	White
Feed line:	1800

**!** Maximum permissible strip length: 7500 mm

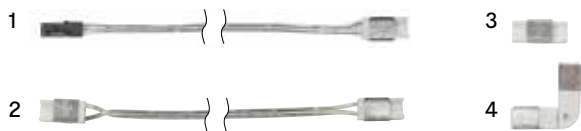
TUDO 4,8 / 12 V	FEED LINE	LENGTH (mm)	POWER (W/m)	COLOUR TEMPERATURE	REF.	THEOFILS
LED strip Tudo Eco	No	15000	4,8	Extra Ww	2000234	310193
				Warm white	2000235	310194
				Natural white	2000236	310195
LED strip Tudo	Yes	5000	4,8	Extra Ww	2000238	310196
				Warm white	2000239	310197
				Natural white	2000240	310198
				Cool white	2000241	310199

### DIMENSIONS



### ACCESSORIES

#### Connector 8 mm



#### LED converters 12 V



ACCESSORIES	LENGTH (mm)	REF.	THEOFILS
1 Power cord 8 mm	800	2000833	310210
	3000	2000257	310147
2 Connection cord 8 mm	50	2000494	310212
	400	2000259	310211
	700	2000260	310154
3 Connector 8 mm		2000261	310213
4 Corner connector Tudo 8 mm		2000262	310214

LED CONVERTER	REF.	THEOFILS
15 W	2000420	310074
30 W	2000421	310075
60 W	2000422	310076



## TUDO 7,2 / 12 V

- \ Suitable for universal applications
- \ Compatible with the Tudo modular system



### PHOTOMETRICS

LED Band Tudo (L = 500 mm)	2700 K	3000 K	4000 K	6200 K
0 cm				
30 cm	824 lx	881 lx	904 lx	965 lx
50 cm	357 lx	377 lx	391 lx	417 lx
100 cm	113 lx	118 lx	124 lx	132 lx

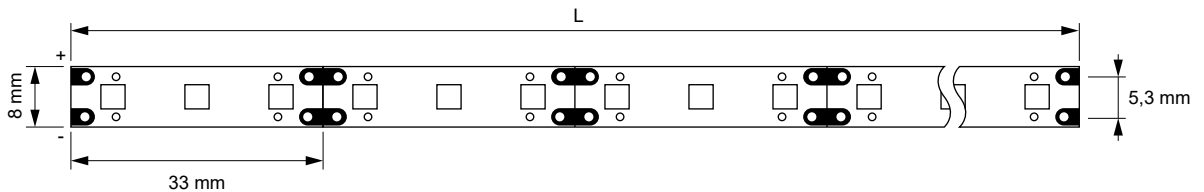
### PRODUCT FEATURES

Operating voltage:	12 V
Dimensions:	8x1,2 mm
Power /m:	7,2 W
Colour temperature:	Extrawarm/Warm/Natural/Cool white
Colour rendering:	>90
Luminous flux /m:	650 lm
Luminous efficacy:	90 lm/W
LED lifespan:	30000 h
Number of LEDs /m:	90 pcs.
Division:	3 / 33 mm
Cutable:	Every 33 mm
Beam angle:	120°
IP protection rating:	IP20
Surface / Colour:	White
Feed line:	1800 mm

**!** Maximum permissible strip length: 5000 mm

TUDO 7,2 / 12 V	LENGTH (mm)	POWER (W/m)	COLOUR TEMPERATURE	REF.	THEOFILS
LED strip Tudo	5000	7,2	Extra Ww	2000242	310200
			Warm white	2000243	310201
			Natural white	2000244	310202
			Cool white	2000245	310203

### DIMENSIONS



### ACCESSORIES

#### Connector 8 mm



#### LED converters 12 V



ACCESSORIES	LENGTH (mm)	REF.	THEOFILS
1 Power cord 8 mm	800	2000833	310210
	3000	2000257	310147
2 Connection cord 8 mm	50	2000494	310212
	400	2000259	310211
	700	2000260	310154
3 Connector 8 mm		2000261	310213
4 Corner connector Tudo 8 mm		2000262	310214

LED CONVERTER	REF.	THEOFILS
15 W	2000420	310074
30 W	2000421	310075
60 W	2000422	310076



## TUDO 9,6 / 12 V

- \ Suitable for direct, even light application
- \ Compatible with the Tudo modular system



### PHOTOMETRICS

LED Band Tudo (L = 500 mm)	2700 K	3000 K	4000 K	6200 K
0 cm				
30 cm	1203 lx	1235 lx	1133 lx	1282 lx
50 cm	522 lx	533 lx	490 lx	553 lx
100 cm	157 lx	167 lx	155 lx	173 lx

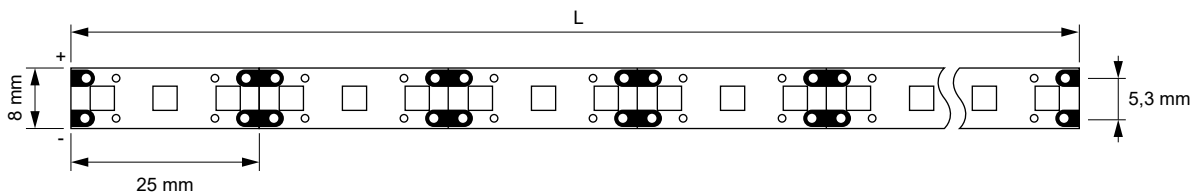
### PRODUCT FEATURES

Operating voltage:	12 V
Dimensions:	8x1,2 mm
Power /m:	9,6 W
Colour temperature:	Extrawarm/Warm/Natural/Cool white
Colour rendering:	>90
Luminous flux /m:	840 lm
Luminous efficacy:	88 lm/W
LED lifespan:	30000 h
Number of LEDs /m:	120 pcs.
Division:	3 / 25 mm
Cutable:	Every 25 mm
Beam angle:	120°
IP protection rating:	IP20
Surface / Colour:	White
Feed line:	1800 mm

**!** Maximum permissible strip length: 3750 mm  
Must be operated only in an aluminum profile or on a cooling strip

TUDO 9,6 / 12 V	FEED LINE	LENGTH (mm)	POWER (W/m)	COLOUR TEMPERATURE	REF.	THEOFILS
LED strip Tudo Eco	Nein	15000	9,6	Extra Ww	2000246	310164
				Warm white	2000247	310145
				Natural white	2000248	310204
LED strip Tudo	Ja	5000	9,6	Extra Ww	2000250	310205
				Warm white	2000251	310144
				Natural white	2000252	310206
				Cool white	2000253	310207

### DIMENSIONS



### ACCESSORIES

#### Connector 8 mm



#### LED converters 12 V



ACCESSORIES	LENGTH (mm)	REF.	THEOFILS
1 Power cord 8 mm	800	2000833	310210
	3000	2000257	310147
2 Connection cord 8 mm	50	2000494	310212
	400	2000259	310211
	700	2000260	310154
3 Connector 8 mm		2000261	310213
4 Corner connector Tudo 8 mm		2000262	310214

LED CONVERTER	REF.	THEOFILS
15 W	2000420	310074
30 W	2000421	310075
60 W	2000422	310076



## TUDO EMOTION 7,2 / 12 V

- \ Suitable for universal applications
- \ Compatible with the Tudo modular system



### PRODUCT FEATURES

Operating voltage:	12 V
Dimensions:	8x1,2 mm
Power /m:	7,2 W
Colour temperature:	Emotion (2700-6500 K)
Colour rendering:	>90
Luminous flux /m:	720 lm
Luminous efficacy:	100 lm/W
LED lifespan:	30000 h
Number of LEDs /m:	120+120 pcs.
Division:	3+3 / 25 mm
Cutable:	Every 25 mm
Beam angle:	120°
IP protection rating:	IP20
Surface / Colour:	White
Feed line:	1800 mm

### PHOTOMETRICS

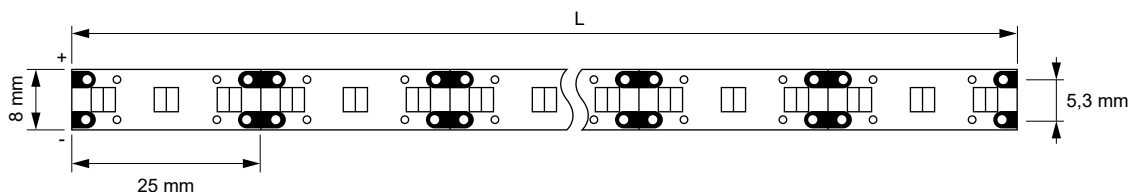
LED Band Tudo (L = 500 mm)	2700-6500 K
0 cm	120°
30 cm	934-1076 lx
50 cm	394-463 lx
100 cm	125-147 lx



Maximum permissible strip length: 5000 mm

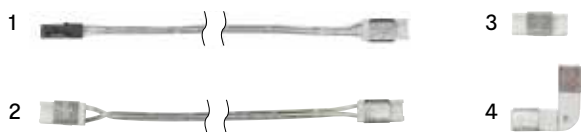
TUDO EMOTION 7,2 / 12 V	LENGTH (mm)	POWER (W/m)	COLOUR TEMPERATURE	REF.	THEOFILS
LED strip Tudo	5000	7,2	Emotion	2000255	310208

### DIMENSIONS



### ACCESSORIES

#### Connector 8 mm



#### LED converters 12 V, refer to p. 236



ACCESSORIES	LENGTH (mm)	REF.	THEOFILS
1 Power cord 8 mm	800	2000833	310210
	3000	2000257	310147
	50	2000494	310212
2 Connection cord 8 mm	400	2000259	310211
	700	2000260	310154
3 Connector 8 mm		2000261	310213
4 Corner connector Tudo 8 mm		2000262	310214

LED CONVERTER	REF.	THEOFILS
15 W	2000420	310074
30 W	2000421	310075
60 W	2000422	310076

#### Emotion radio control





## PHOTOMETRICS

LED Band Tudo (L = 500 mm)	2700-6500 K
0 cm	120°
30 cm	1586-1896 lx
50 cm	681-817 lx
100 cm	217-260 lx

## TUDO EMOTION 15,5 / 12 V

- \ Suitable for direct, even light application
- \ Compatible with the Tudo modular system

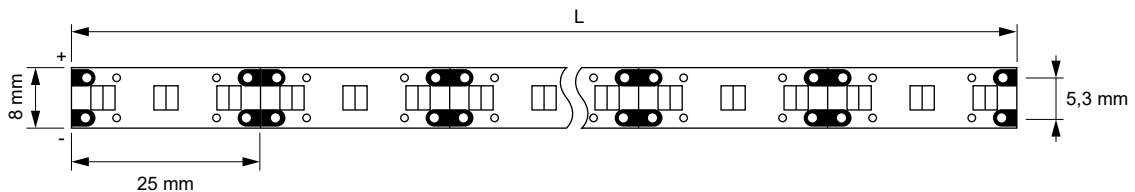
## PRODUCT FEATURES

Operating voltage:	12 V
Dimensions:	8x1,2 mm
Power /m:	15,5 W
Colour temperature:	Emotion (2700-6500 K)
Colour rendering:	>90
Luminous flux /m:	1272 lm
Luminous efficacy:	82 lm/W
LED lifespan:	30000 h
Number of LEDs /m:	120+120 pcs.
Division:	3+3 / 25 mm
Cutable:	Every 25 mm
Beam angle:	120°
IP protection rating:	IP20
Surface / Colour:	White
Feed line:	1800 mm

**!** Maximum permissible strip length: 2300 mm  
Must be operated only in an aluminum profile or on a cooling strip

TUDO EMOTION 15,5 / 12 V	LENGTH (mm)	POWER (W/m)	COLOUR TEMPERATURE	REF.	THEOFILS
LED strip Tudo	5000	15,5	Emotion	2000254	310209

## DIMENSIONS



## ACCESSORIES

### Connector 8 mm



### LED converters 12 V

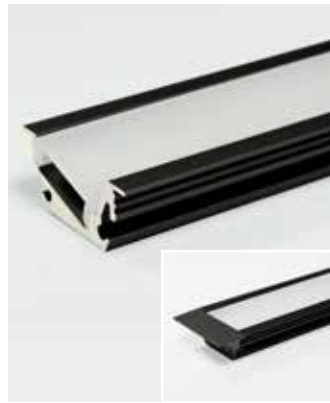


ACCESSORIES	LENGTH (mm)	REF.	THEOFILS
1 Power cord 8 mm	800	2000833	310210
	3000	2000257	310147
2 Connection cord 8 mm	50	2000494	310212
	400	2000259	310211
	700	2000260	310154
3 Connector 8 mm		2000261	310213
4 Corner connector Tudo 8 mm		2000262	310214

LED CONVERTER	REF.	THEOFILS
15 W	2000420	310074
30 W	2000421	310075
60 W	2000422	310076

### Emotion radio control

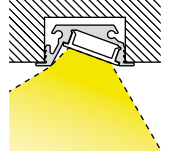




## VENICE MINI LUMINAIRE PROFILE

- \ Recessed profile
- \ Cover Opal or Black

Material: Aluminum  
 Surface / Colour: Stainless steel coloured  
 Black  
 Dimensions: 26x10,75 mm  
 Groove dimensions: 23x11 mm



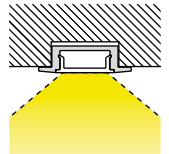
VENICE MINI	L (mm)	SURFACE	REF.	THEOFILS
Luminaire profile	2500	St. steel coloured	<b>2000326</b>	<b>310215</b>
		Black	<b>2000535</b>	<b>310121</b>
Cover profile		Opal	<b>2000320</b>	<b>310216</b>
		Black	<b>2000507</b>	<b>310120</b>
Set of end caps		St. steel coloured	<b>2000327</b>	<b>310217</b>
		Black	<b>2000536</b>	<b>310122</b>
Set of installation springs (8 pcs.)			<b>2000328</b>	<b>310218</b>



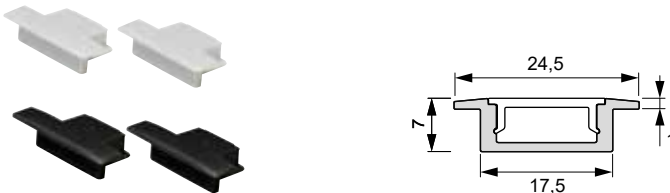
## LONDON LUMINAIRE PROFILE

- \ Recessed profile
- \ Cover Opal or Black

Material: Aluminum  
 Surface / Colour: St. steel col. / Black  
 Dimensions: 24,5x7 mm  
 Groove dimensions: 17,5x7 mm



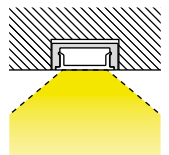
LONDON	L (mm)	SURFACE	REF.	THEOFILS
Luminaire profile	3000	Silver coloured	<b>2000335</b>	<b>310148</b>
		Black	<b>2000502</b>	<b>310219</b>
Cover profile		Opal	<b>2000478</b>	<b>310149</b>
		Silver coloured	<b>2000336</b>	<b>310150</b>
Set of end caps		Black	<b>2000503</b>	<b>310220</b>



## PARIS LUMINAIRE PROFILE

- \ Recessed profile
- \ Cover Opal or Black

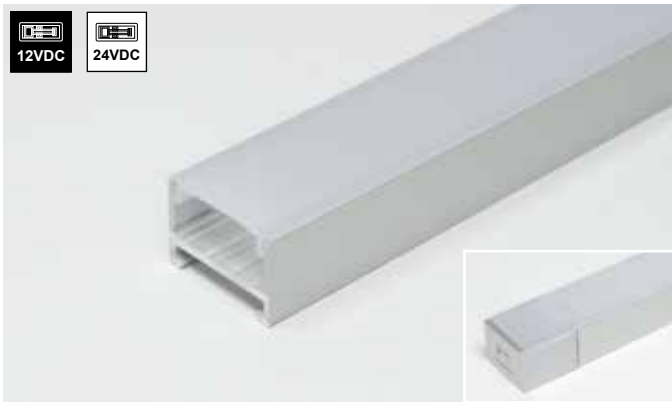
Material: Aluminum  
 Surface / Colour: Silver coloured / Black  
 Dimensions: 17,5x7 mm  
 Groove dimensions: 17,5x7 mm



PARIS	L (mm)	SURFACE	REF.	THEOFILS
Luminaire profile	3000	Silver coloured	<b>2000338</b>	<b>310161</b>
		Black	<b>2000504</b>	<b>9904064</b>
Cover profile		Opal	<b>2000478</b>	<b>310149</b>
		Black	<b>2000508</b>	<b>9904065</b>
Set of end caps		Silver coloured	<b>2000339</b>	<b>310162</b>
		Black	<b>2000505</b>	<b>310163</b>



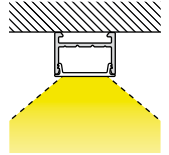




## PORTO 1 LUMINAIRE PROFILE

Surface-mounted profile

Material: Aluminum  
 Surface / Colour: Silver coloured  
 Dimensions: 16x11 mm



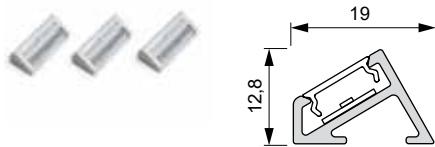
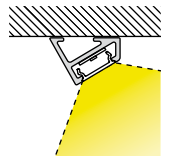
PORTO 1	L (mm)	SURFACE	REF.	THEOFILS
Luminaire profile	3000	Silver coloured	2000307	310130
Cover profile		Opal	2000312	310131
Set of end caps		Silver coloured	2000314	310143
Mounting set			2000349	310132



## DERBY II LUMINAIRE PROFILE

Surface-mounted profile

Material: Aluminum  
 Surface / Colour: Black  
 Dimensions: 19x12,8 mm



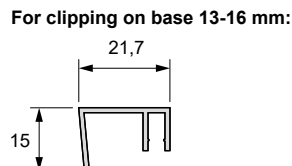
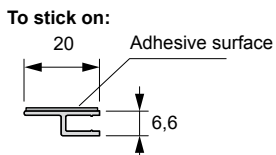
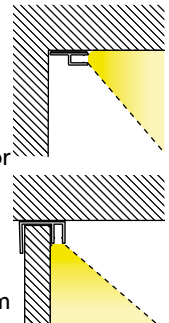
DERBY	L (mm)	SURFACE	REF.	THEOFILS
Luminaire profile	2500	Black	2000533	310221
Cover profile		Opal	2000324	310222
Set of end caps		Black	2000534	310223
Mounting set magnetic (Set of 3)			2000541	310224



## OCTOPUS BASE PROFILES

- For use as a base lighting
- Suitable for 4x10 mm Octopus LED strips, refer from p. <?>
- To stick on with horizontal light emission or for clipping with light emission downwards

Material: Plastic  
 Surface / Colour: Grey  
 Dimensions: 20x6,6 mm / 21,7x15 mm



BASE PROFILES	L (mm)	SURFACE	REF.	THEOFILS
To stick on	2200	Grey	2000794	310225
For clipping Set (15 pcs.)	150		2000793	310226



# PENDANT LIGHT ICE EMOTION

- \ Pendant light for dining tables or kitchen islands
- \ Infinitely height adjustable up to 1850 mm
- \ Integrated LED converter, control and remote control
- \ Dimmable with continuously adjustable color temperature through Emotion technology
- \ Colour temperature control by remote

**!** The LED lights up Warm white without Emotion control. With the adapter 2000436 it lights up Cool white.

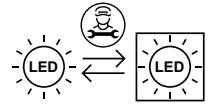
## PRODUCT FEATURES

Type of Light:	Pendant light for dining tables or kitchen islands
Operating voltage:	230 V / 12 V
Power /m:	15,5 W
Colour temperature:	Emotion (2700-6500 K)
Start colour:	Warm white
Colour rendering:	>80
Luminous flux /m:	300-442 lm (L = 900 mm)
Luminous efficacy:	21,5-31,8 lm/W
LED lifespan:	30000 h
Number of LEDs /m:	120+120 pcs.
Beam angle:	62°
IP protection rating:	IP20
Material:	Aluminum/Plastic
Surface / Colour	Stainless steel coloured/Opal
Feed line:	-

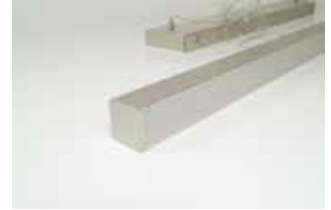
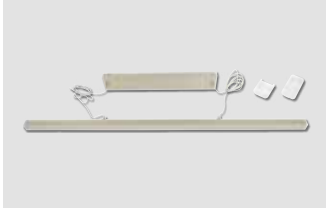
## PHOTOMETRICS

Pendelleuchte Ice Emotion (L= 900 mm)		2700-6500 K
0 cm	62°	
30 cm		752-901 lx
50 cm		525-622 lx
75 cm		295-349 lx
100 cm		196-232 lx

PENDANT LIGHT ICE EMOTION	COLOUR TEMPERATURE	LENGTH (mm)	POWER (W)	REF.	THEOFILS
Pendant light Ice	Emotion	900	13,9	2000786	310059
		1200	18,6	2000787	310060
		1500	23,2	2000788	310061

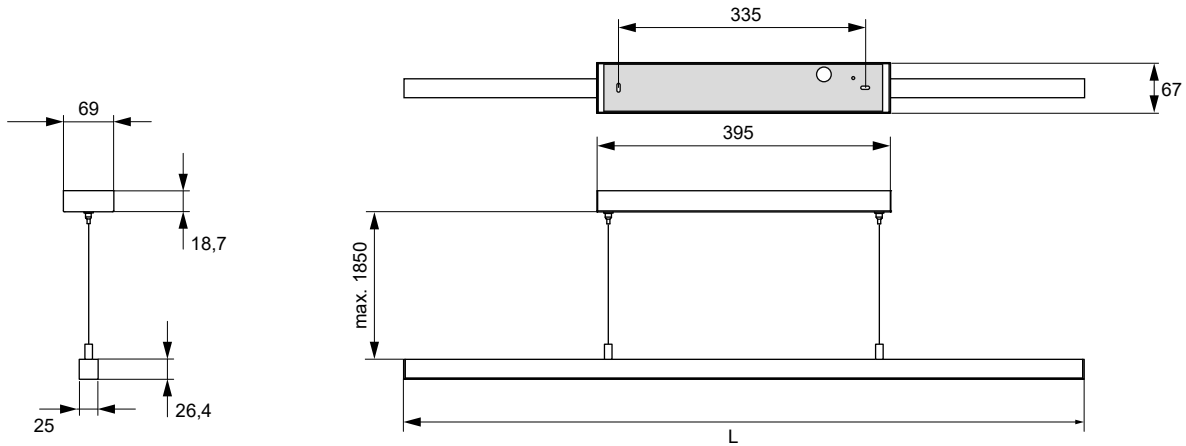


**Pendant light  
Ice Emotion**

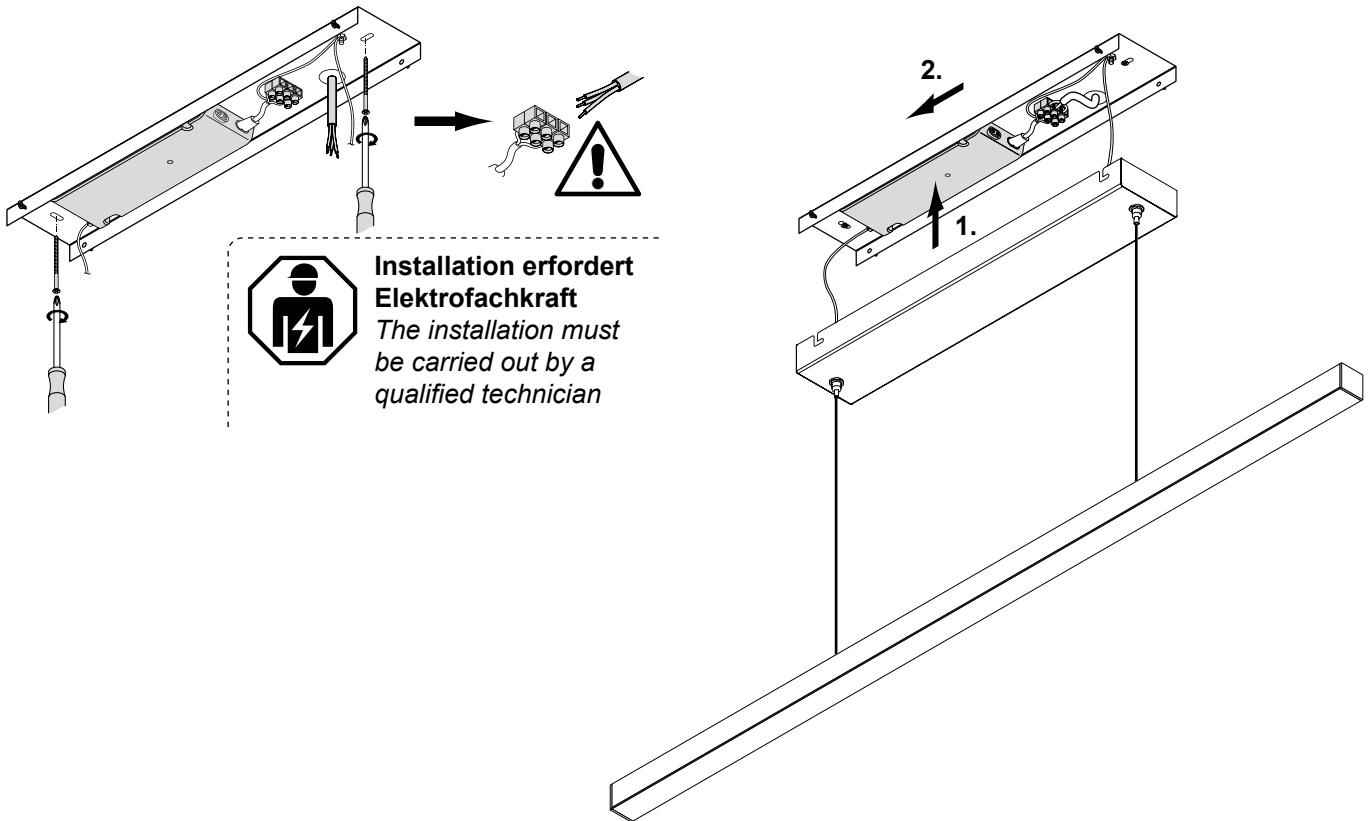


Stainless steel coloured

**DIMENSIONS**



**INSTALLATION**





# TUBE PENDANT LIGHT

- \ For living/dining area
- \ Aluminum housing
- \ Integrated LED converter

## PRODUCT FEATURES

Type of Light:	Pendant light for dining table or cooking island
Operating voltage:	AC 230 V
Power:	2,0 W
Colour temperature:	Extrawarm white
Colour rendering:	>80
Luminous flux:	95 lm
Luminous efficacy:	48 lm/W
LED lifespan:	30000 h
Number of LEDs:	9 pcs.
Beam angle:	40°
IP protection rating:	IP20
Material:	Aluminum
Surface / Colour:	Structured/Black

## PHOTOMETRICS

Stab-Pendelleuchte	2700 K
0 cm	
30 cm	1116 lx
50 cm	388 lx
75 cm	
100 cm	103 lx

PENDANT LIGHT ICE	COLOUR TEMPERATURE	POWER (W)	REF.	THEOFILS
Pendant light Ice	Warm white	2,0	3812479	310155



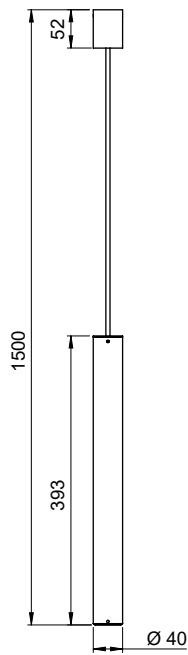
Tube pendant light



Structured/Black



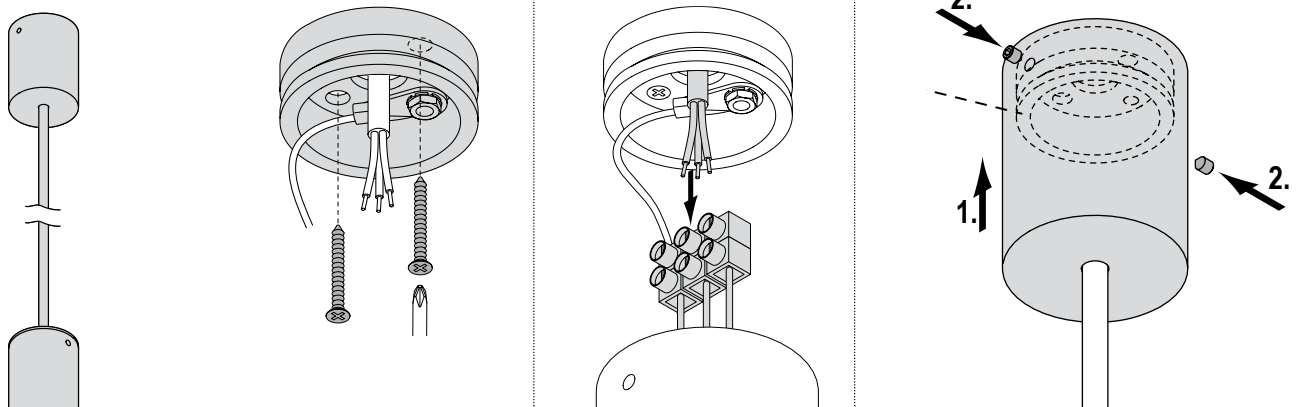
ABMESSUNGEN



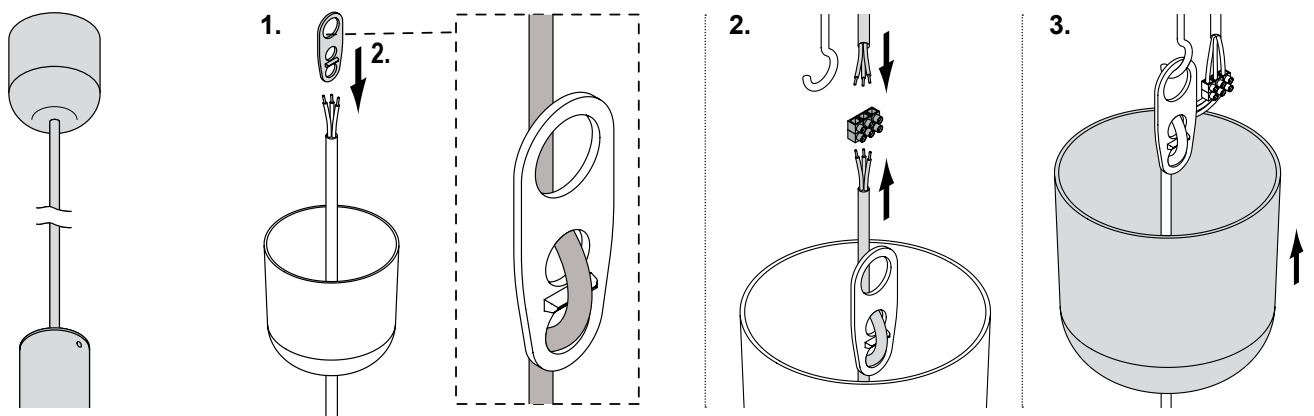
The installation must be carried out by a qualified technician

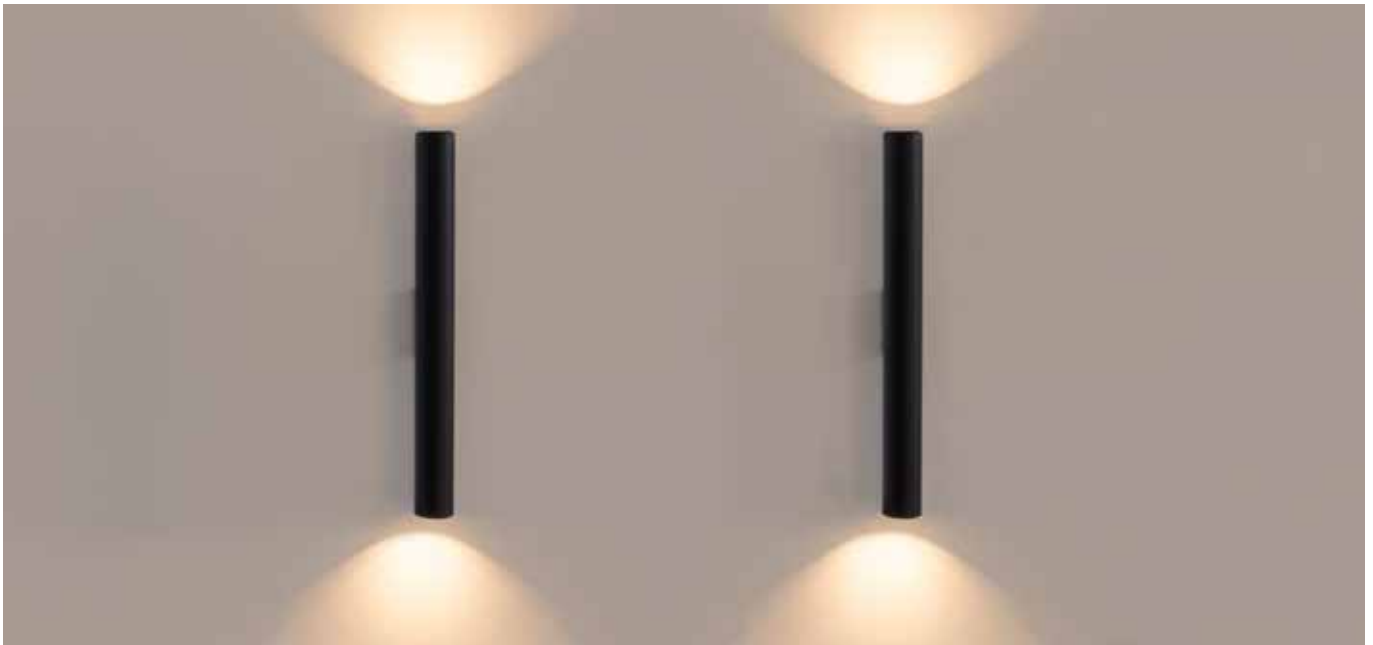
INSTALLATION

**A**



**B**





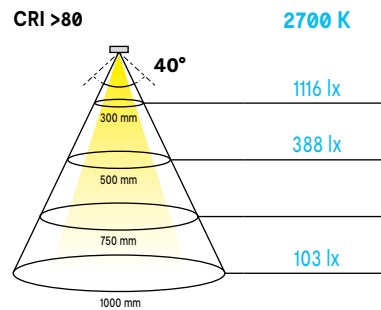
# ROD LIGHT

- \ Wall lamp for dinings and living areas
- \ High quality aluminum housing
- \ Integrated driver

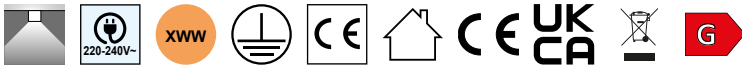
## PRODUCT FEATURES

Type of Light:	Wall light
Operating voltage:	230 V
Power:	4,0 W
Colour temperature:	Extrawarm white
Colour rendering:	>80
Luminous flux:	2x 95 lm
Luminous efficacy:	2x 48 lm/W
LED lifespan:	30000 h
Number of LEDs:	9 pcs
Beam angle:	40°
IP protection rating:	IP20
Material:	Aluminum
Surface / Colour:	Structured / Black

## PHOTOMETRICS



WALL LIGHT	COLOUR TEMPERATURE	W	REF.	THEOFILS
Rod light	Extrawarm white	4,0	3813100	310249



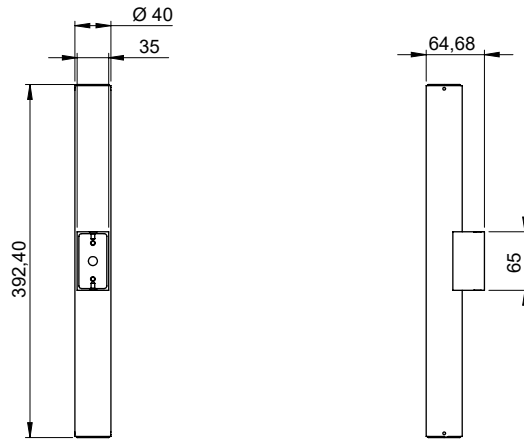
Rod light



Structured/Black



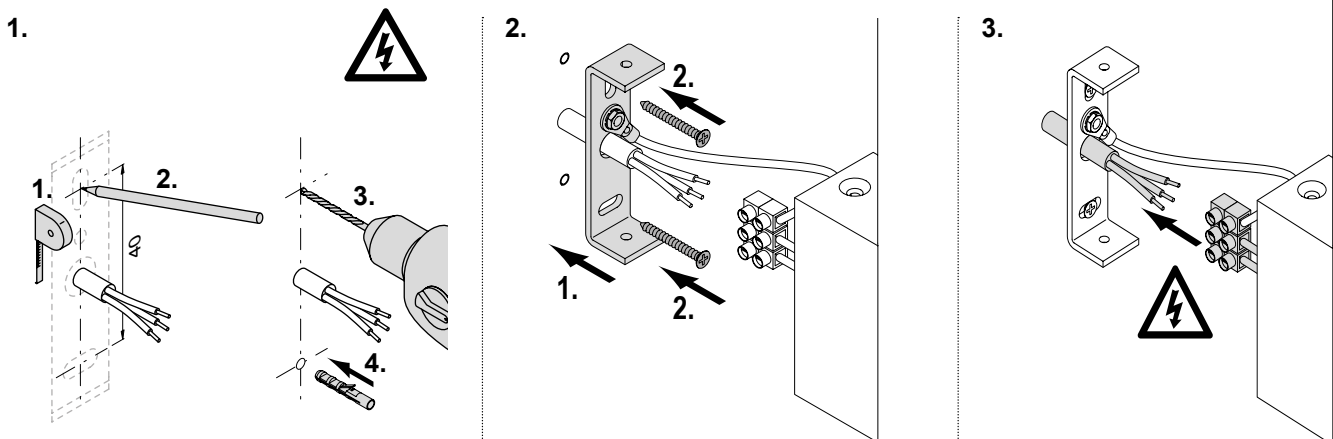
DIMENSIONS



INSTALLATION



The installation must be carried out by a qualified technician





# CRYSTAL MIRROR QUATTRO

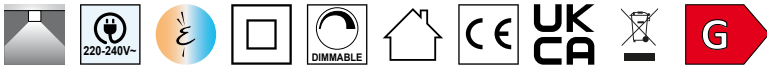
- \ Direct lighting
- \ Sensor button for lighting
- \ Integrated LED converter
- \ Dimmable with continuously adjustable color temperature through Emotion technology

## PRODUCT FEATURES

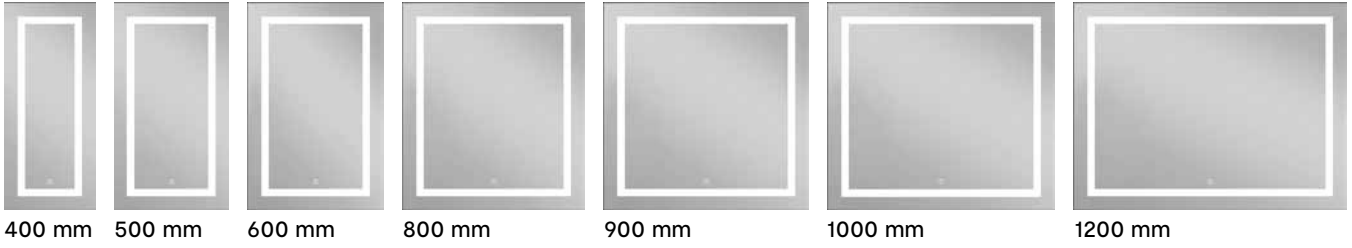
Type of Light:	Surface-mounted mirror
Operating voltage:	230 V / 24 V
Colour temperature:	Emotion (3000-6500 K)
Start colour:	Warm white
Memory function:	Colour temperature and dimming level
Colour rendering:	>80
LED lifespan:	30000 h
IP protection rating:	IP20
Material:	Glass/Aluminum
Surface / Colour	Silver coloured/Opal

CRYSTAL MIRROR QUATTRO	COLOUR TEMPERATURE	DIM. (mm)	POWER (W)	REF.	THEOFILS
Crystal mirror QUATTRO	Emotion	400x700	26,4	<b>2000675</b>	<b>310065</b>
		500x700	28,8	<b>2000676</b>	<b>310066</b>
		600x700	31,2	<b>2000677</b>	<b>310067</b>
		800x700	36,0	<b>2000678</b>	<b>310068</b>
		900x700	38,4	<b>2000679</b>	<b>310069</b>
		1000x700	41,0	<b>2000673</b>	<b>310070</b>
		1200x700	45,6	<b>2000680</b>	<b>310071</b>

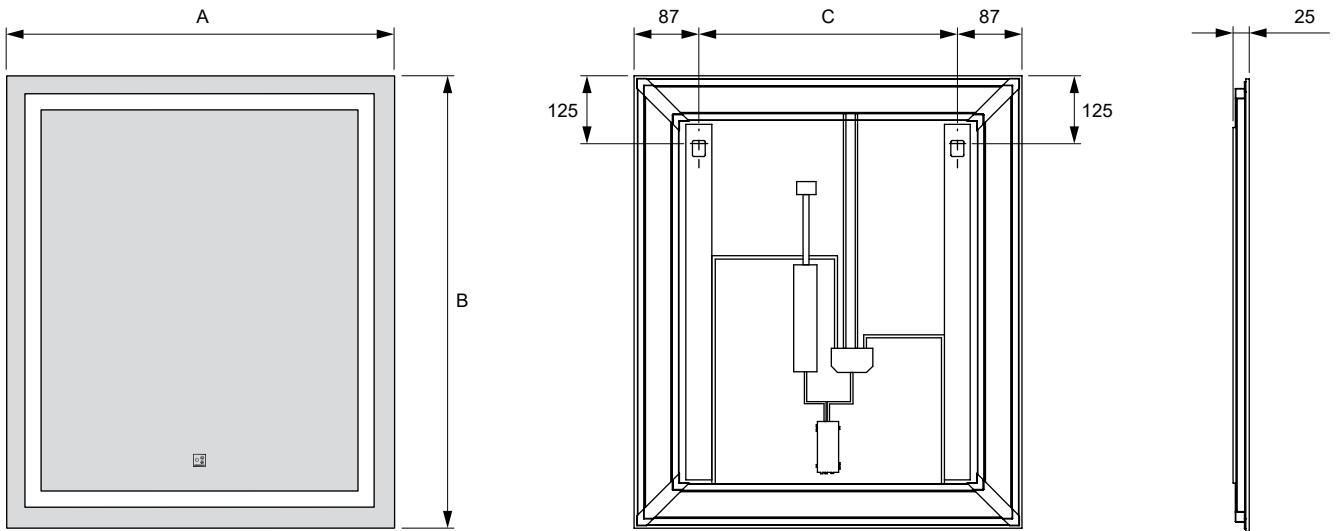




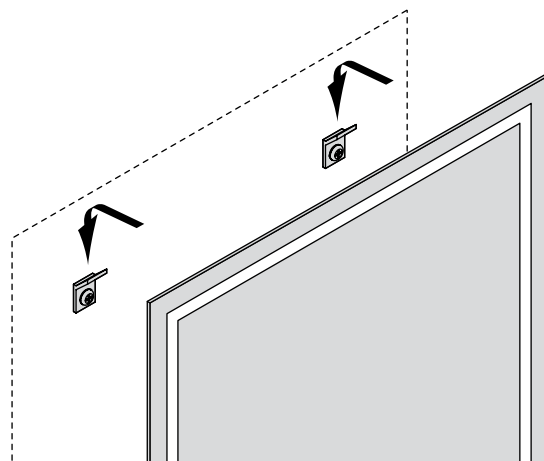
Crystal mirror QUATTRO



DIMENSIONS



Installation





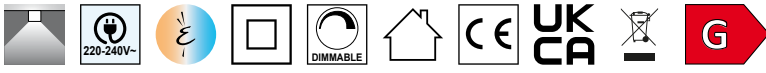
# CRYSTAL MIRROR ROUNDQ

- \ Direct lighting
- \ Sensor button for lighting
- \ Integrated LED converter
- \ Dimmable with continuously adjustable color temperature through Emotion technology

## PRODUCT FEATURES

Type of Light:	Surface-mounted mirror
Operating voltage:	230 V / 12 V
Colour temperature:	Emotion (3000-6500 K)
Start colour:	Warm white
Memory function:	Colour temperature and dimming level
Colour rendering:	>80
LED lifespan:	30000 h
IP protection rating:	IP20
Material:	Glass/Aluminum
Surface / Colour	Silver coloured

CRYSTAL MIRROR ROUNDQ	COLOUR TEMPERATURE	DIM. (mm)	POWER (W)	REF.	THEOFILS
Crystal mirror ROUNDQ	Emotion	Ø 500	19,0	2000688	310072
		Ø 700	26,0	2000689	310073



Crystal mirror ROUNDQ

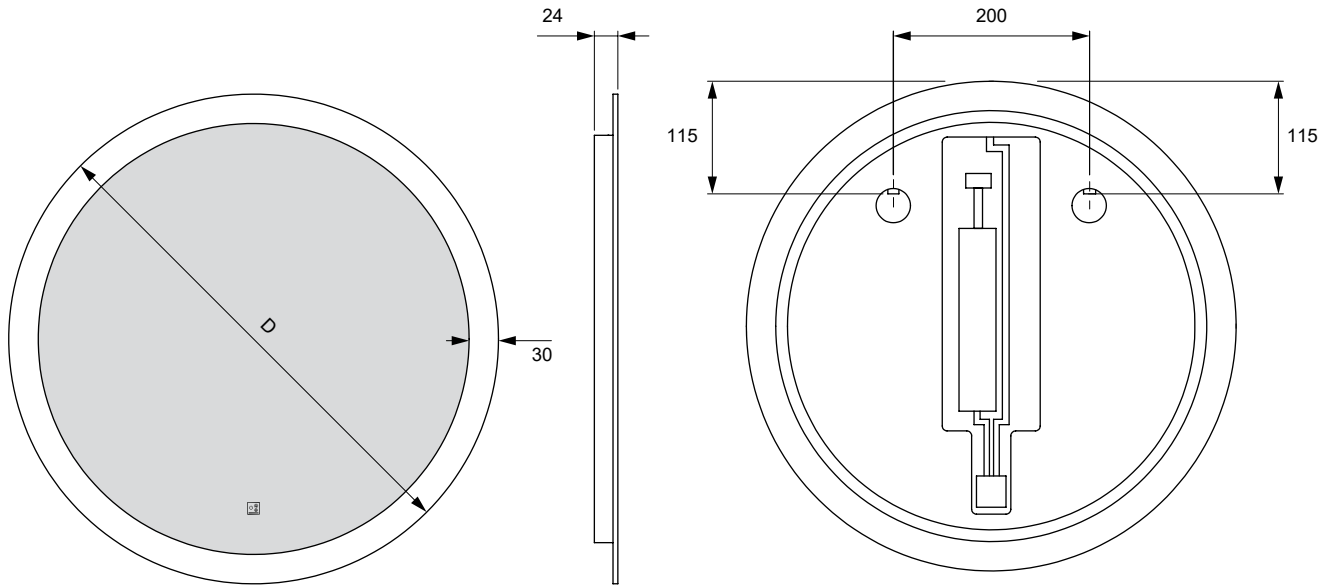


500 mm

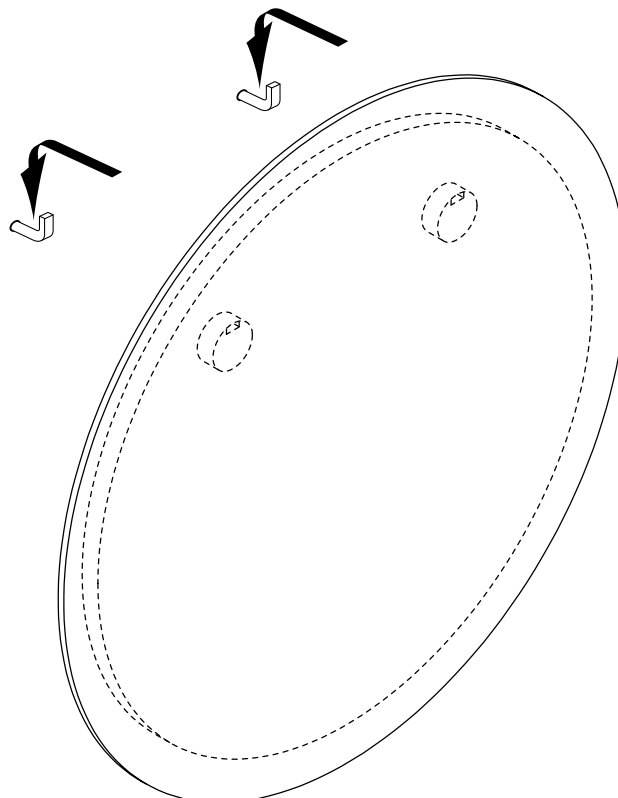


700 mm

DIMENSIONS



MONTAGE





## WALL SHELF EMOTION

- \\ Illuminated wall shelf, lighting up and down
- \\ Rear panel with place for control unit/converter up to 16 mm
- \\ Different mounting options
- \\ Special lengths on request
- \\ Dimmable with continuously adjustable color temperature through emotion technology

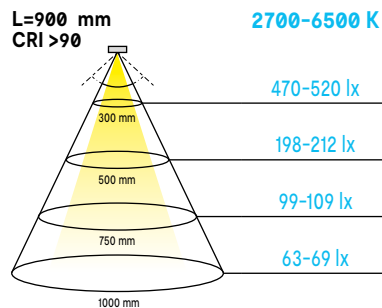


\* The LED lights up Warm white without Emotion control. With the adapter 2000436 it lights up Cool white.

### PRODUCT FEATURES

Type of light:	Wall shelf
Operating voltage:	12 V
Power:	24 W /m
Colour temperature:	Emotion (2700-6500 K)
Start colour:	Warmweiß
Colour rendering:	>90
Luminous flux:	2x 1020-1140 lm/m
Luminous efficacy:	14,7-16,1 lm/W
LED lifespan:	30000 h
Number of LEDs /m:	120+120 pcs.
Beam angle:	80°
IP protection class:	IP20
Material:	Aluminium
Surface / Colour:	Black
Feed line:	200 mm

### PHOTOMETRICS



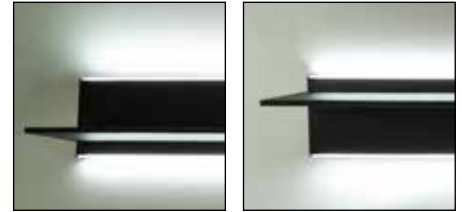
WALL SHELF EMOTION	DIMENSIONS (mm)	POWER (W)	COLOUR	REF.	THEOFILS
Wall shelf	600	13,8	Black	2000946	310250
	900	21,0		2000947	310251
	1000	23,4		2000948	310252
	1200	28,2		2000949	310253
Emotion adapter cable 12 V				2000436	310077



Wall shelf Emotion



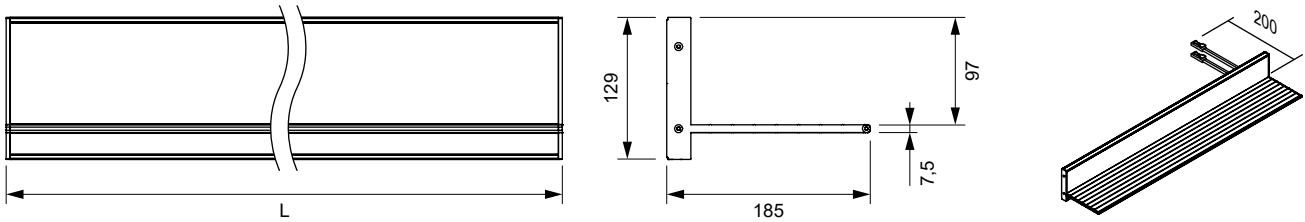
Black



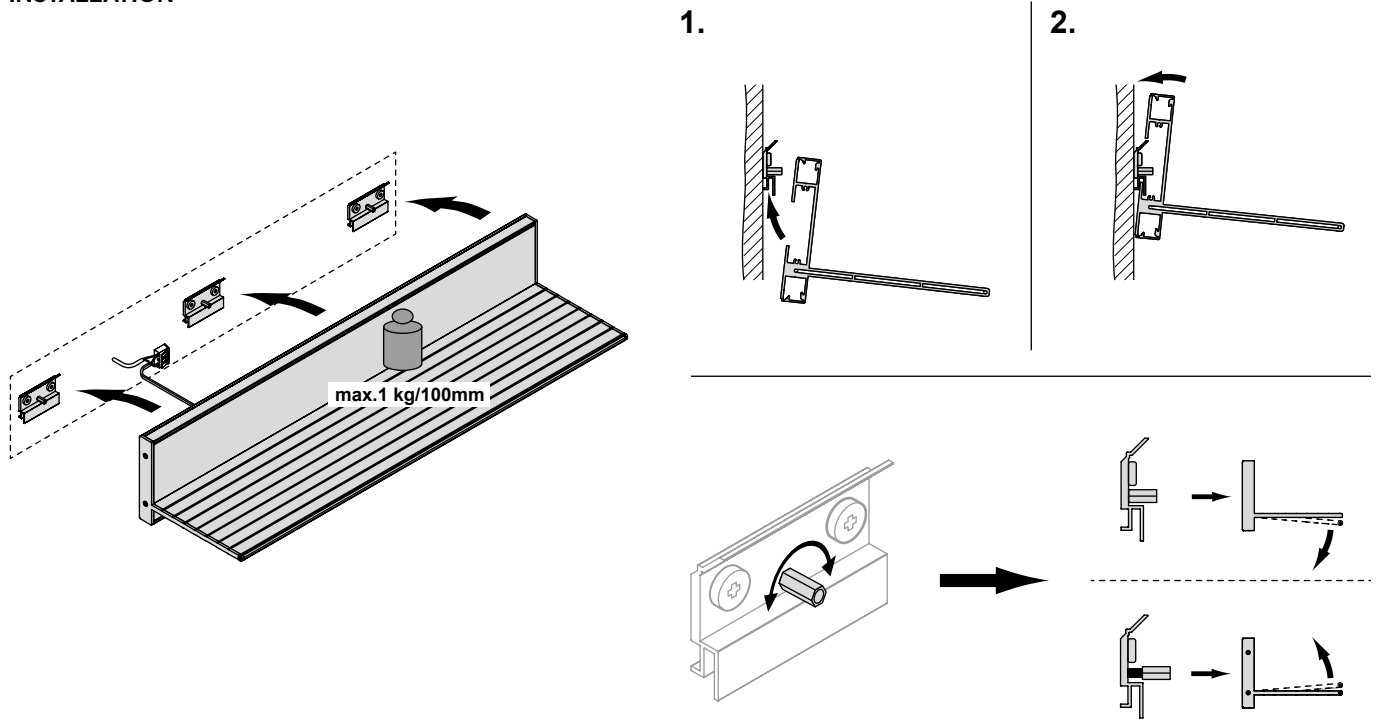
Mounting option 1

Mounting option 2

DIMENSIONS



INSTALLATION

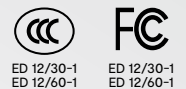
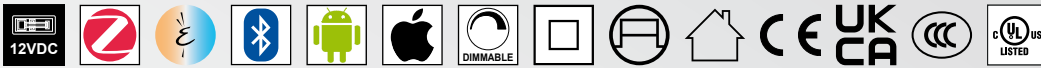


ACCESSORIES

Emotion radio control

Control systems for LED Emotion luminaires:

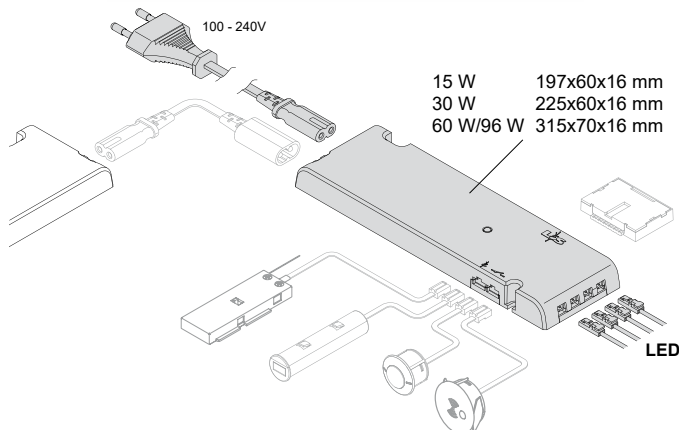
- \ Frankfurt Series
- \ Stuttgart Series



# ALL IN ONE EMOTION DRIVER FRANKFURT SERIES

Converter, emotion control and Bluetooth receiver in one device. Different functions can be provided via the function modules (see below): from connecting a door contact switch to wireless control via app \* / voice control \*\*.

- \ Suitable for all L&S Emotion lighting systems
- \ 12 or 24 V driver
- \ Pluggable connection cable
- \ Daisy-chain connection is possible, i.e. up to 10 L&S Emotion Drivers can be connected to a connection cable using plug-in connecting cables
- \ Two pluggable switch connections for the Emotion-IR Sensor / door contact sensor and motion detector
- \ Integrated distribution strip for L&S Emotion LED lights
- \ 15 W with 4 slots, 30W and 60W with 6 slots each
- \ Wireless communication between the emotion drivers



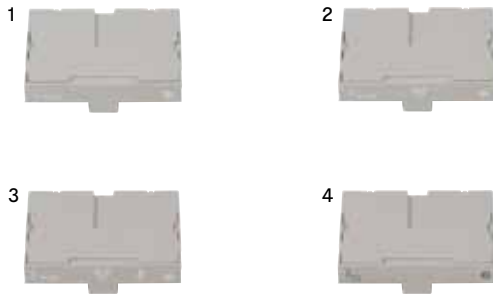
## PRODUCT FEATURES

Input voltage: 230 V  
 Output voltage: 12 / 24 V  
 Power: 30 / 60 W  
 Max. range: 10 m  
 Protection class: IP20  
 Cable length: - (please order separately)

FRANKFURT SERIES	POWER (W)	REF.	THEOFILS
LED Emotion Driver 12V	15	2000391	310096
	30	2000392	310097
	60***	2000393	310098

\* App available free of charge in the Playstore or Apple Store.  
 \*\* L&S Emotion Home Base and voice assistant required (s. p. 216).  
 \*\*\* Max. 36 W per output





## FUNCTION MODULES FOR EMOTION DRIVER

- Use with the All In One Emotion Driver
- Providing different functions depending on the module (see below)

FRANKFURT SERIES		REF.	THEOFILS
1	Function module 1	2000397	310099
2	Function module 2	2000398	310100
3	Function module 3	2000399	310101
4	Function module 5	2000667	310102

**!** The function module 5 is exclusively designed for the operation of the One Button Switch.

Function	Module 1	Module 2	Module 3	Module 5
Emotion IR sensor/door contact	✓	✓	✓	-
Motion detector	✓	✓	✓	-
One Button Switch	-	-	-	✓
Capacitive touch sensor for mirror surfaces	✓	-	-	-
Emotion 1-channel Emotion remote control	-	✓	✓	-
Emotion 4-channel Emotion / RGB remote control	-	✓	✓	-
Radio remote control / Wall switch (2 buttons)	-	✓	✓	-
Wireless communication between the emotion drivers	-	✓	✓	-
Control via smartphone app possible *	-	-	✓	-
Control via Emotion Home Base possible	-	✓	✓	-



## POWER / CONNECTION CABLE FOR EMOTION DRIVER

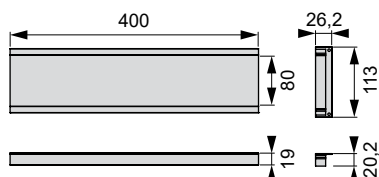
- 230 V
- White

FRANKFURT SERIES	LENGTH (mm)	REF.	THEOFILS	
1	Power cord	2000	2000402	310103
2	Connection cable	300	2000216	310104
		500	2000403	310105
		1000	2000404	310106
		3000	2000405	310107



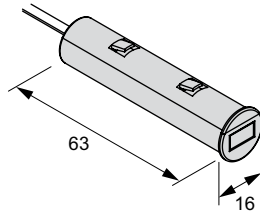
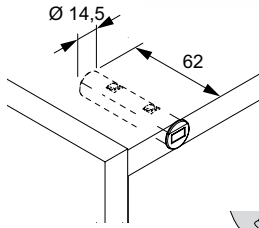
## IP44 COVER FOR EMOTION DRIVER

- Cover cap for protection against splashing water
- Dimensions total: 422,4x113x20,2 mm
- Black

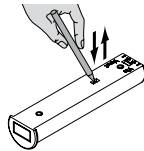


FRANKFURT SERIES	REF.	THEOFILS
IP44 cover cap	2000666	310108

## ALL IN ONE EMOTION DRIVER IR SENSOR / DOOR CONTACT



Activate / deactivate door contact:



Non-contact IR sensor for recessed or mounted installation  
Two operating modes: „InDoor-Mode“ and „Touch-Mode“.  
Adjustable via the switch on the back of the sensor.  
Can be used with function module 1 - 3 (p. 211).

- \ Detection distance 5-70 mm to the front
- \ Drilling dimensions: 14,2x63 mm
- \ Cable length 1800 mm / 3000 mm

### Touch mode:

- Setting the brightness in three levels\*
- Continuous adjustment of the colour temperature\*
- ON/OFF function

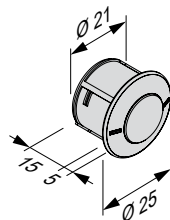
### Indoor mode:

- ON/OFF function (door contact switch)

FRANKFURT SERIES	CABLE L (mm)	COLOUR	REF.	THEOFILS
IR sensor / door contact	1800	White	2000400	310109
			2000486	310110
	3000	Black	2000805	310111

\*The IR sensor must be connected to the Emotion input for this function..

## ALL IN ONE EMOTION DRIVER MOTION DETECTOR

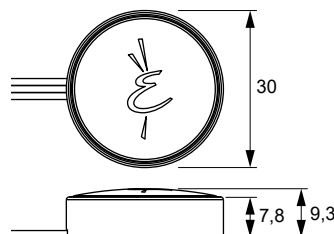


Can be used with function module 1 - 3 (p. 211).

- \ ON/OFF function
- \ Detection area approx. 120°
- \ Detection distance: max. 2500 mm
- \ Adjustable switch-off delay (16 sec. - 10 min.) via Emotion Driver
- \ Dimensions 21x13 mm
- \ Cable length 1800 mm

FRANKFURT SERIES	CABLE L (mm)	REF.	THEOFILS
Motion detector	1800	2000401	310112
	3000	2000487	310113
Surface mount housing for motion detector		2000692	310114

## ALL IN ONE EMOTION DRIVER ONE BUTTON SWITCH



Can be used with function module 5 (p. 211).

- \ ON/OFF function
- \ Continuous adjustment of the colour temperature
- \ Setting the brightness in three levels und stufenlos
- \ Dimensions Ø 30x9,3 mm
- \ Cable length 1500 mm
- \ Adhesive mounting with double-sided adhesive tape

FRANKFURT SERIES	REF.	THEOFILS
One Button Switch	2000669	310115





## EMOTION 1-CHANNEL REMOTE CONTROL FRANKFURT SERIES

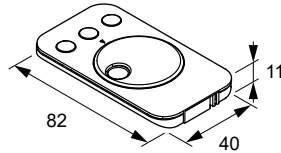
Can be used with function module 2 und 3 (p. 211).  
One remote control per Emotion Driver possible.

- \ Continuous adjustment of the colour temperature
- \ Dimming function
- \ Incl. wall bracket for remote control

Surface / Colour: White / Black  
Battery type: CR2032



Black



FRANKFURT SERIES	COLOUR	REF.	THEOFILS
1-channel remote control	White	2000374	310090
	Black	2000375	310091

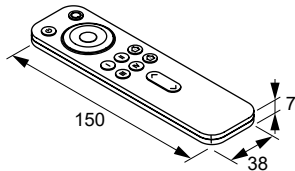


## EMOTION 4-CHANNEL REMOTE CONTROL FRANKFURT SERIES

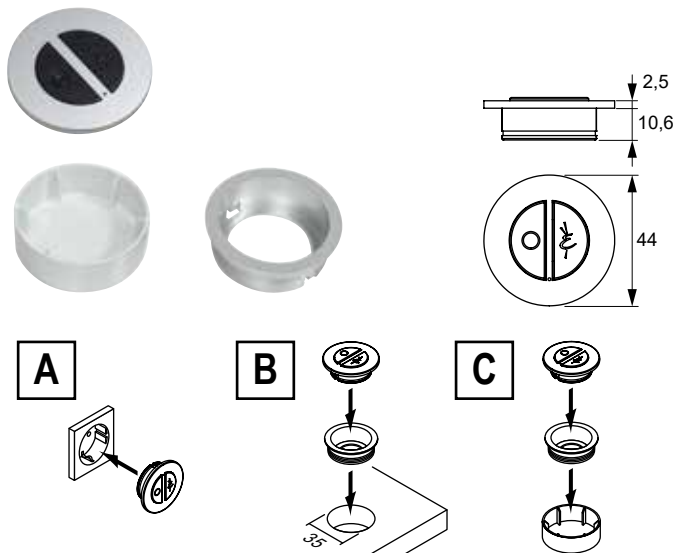
Can be used with function module 2 und 3 (p. 211).  
Two remote controls per Emotion Driver possible.

- \ Continuous adjustment of the colour temperature
- \ 4 channels possible
- \ Dimming function
- \ Two light scenes can be saved
- \ Compatible with RGB control

Surface / Colour: White  
Battery type: CR2032 (2x)



FRANKFURT SERIES	L (mm)	REF.	THEOFILS
1 Emotion 4-channel remote control	150	2000292	310092
2 Wall bracket incl. mounting material		2000698	310093



## EMOTION RADIO REMOTE CONTROL / WALL SWITCH (2 BUTTONS)

Several radio remote controls possible per control.  
Alternating circuits can be realized. ON/OFF function.

- \ Continuous adjustment of brightness
- \ Adjustment of color temperature in three steps and continuously
- \ Dimensions: Ø 44 x 13,1 mm
- \ Can be used as a socket insert (Schuko), for installation or as a hand-held remote control
- \ Including mounting ring and mounting housing

Drilling-Ø: 35 mm  
Material: Plastic  
Surface / Colour: Silver coloured/Black  
Battery type: CR2032

FRANKFURT SERIES	REF.	THEOFILS
Emotion radio remote control / wall switch (2 buttons)	2000668	310094



# EMOTION RADIO SWITCH / MOTION DETECTOR FRANKFURT SERIES

- \ ON/OFF function, dimming and changing the colour temperature
- \ With twilight function
- \ Operation in combination with the 1-channel control system Frankfurt series and the Emotion Driver (module 2 or 3)



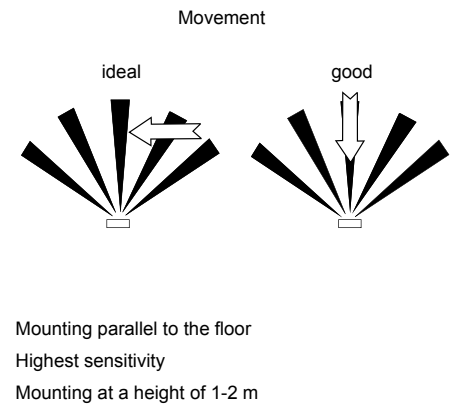
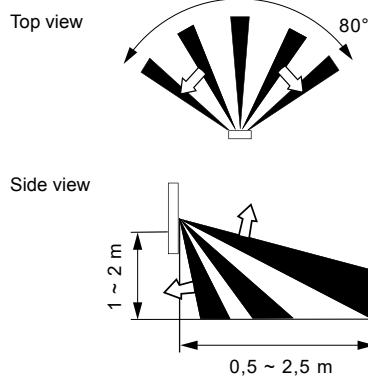
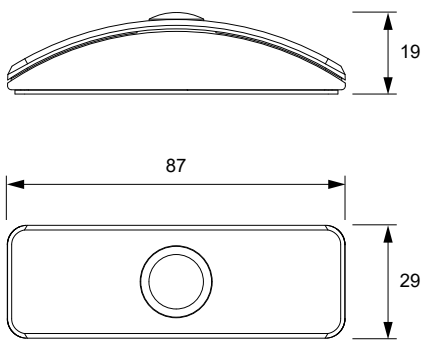
Back

## PRODUCT FEATURES

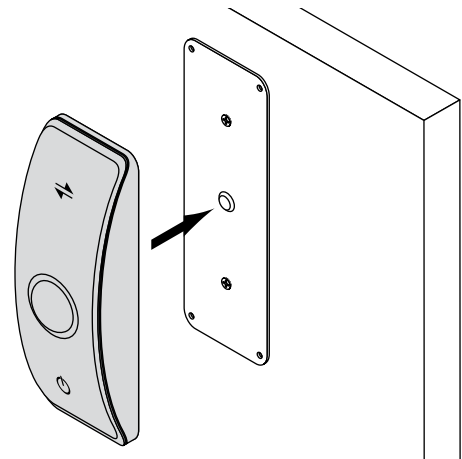
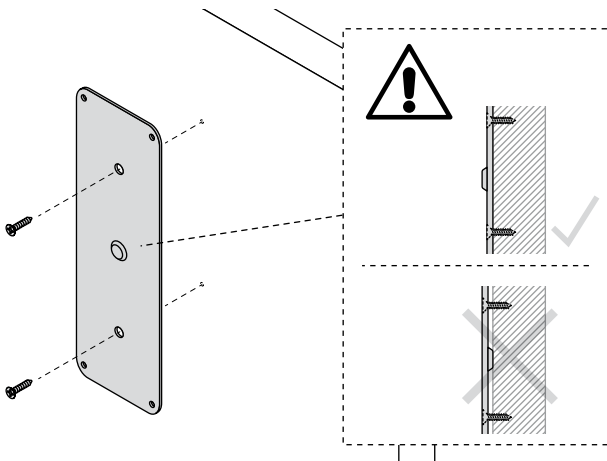
Operating voltage:	3 V
Frequency range:	2,4 GHz
Max. range to control:	15 m
Max. detection range:	2,5 m
Detection angle:	80°
Delay time:	16/180/600 sec.
Daylight detection:	40/150 lx
Material:	Plastic
Surface / Colour:	White
Type of installation:	Magnet attachment
Battery type:	CR2032

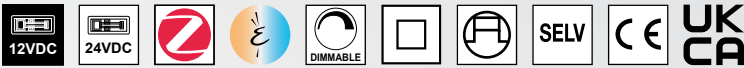
FRANKFURT SERIES	REF.	THEOFILS
Radio switch / Motion detector Frankfurt series	2000691	310095

## DIMENSIONS



## INSTALLATION





# EMOTION RADIO CONTROL FRANKFURT SERIES

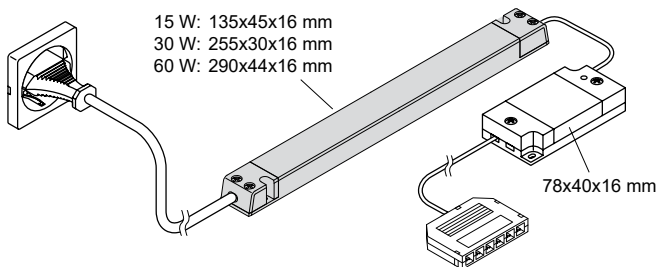
- \ Control system for LED Emotion lights
- \ Control via remote control (see below)
- \ Continuously adjustable color temperature from Warm white to Cool white
- \ Incl. LED driver with 16 mm height
- \ Can be expanded as required, can be combined with 12 and 24 V control unit
- \ Smart home connection possible with L&S Emotion Home Base (Art. 2000484, p. 216)

## EMOTION FUNCTION

- \ ON/OFF and dimming at the touch of a button, color temperature adjustable via rotary wheel (remote control see below)
- \ Memory function: Retaining the last setting

## PRODUCT FEATURES

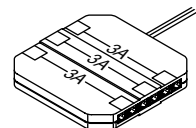
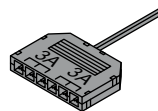
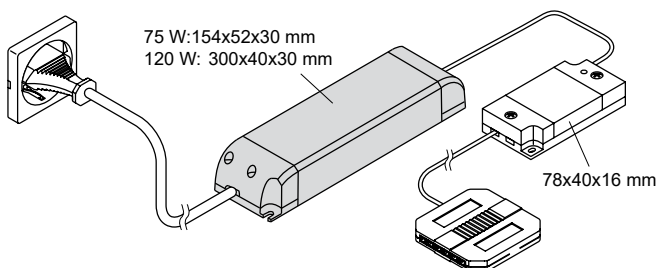
Input voltage: 230 V  
 Output voltage: 12 / 24 V  
 Power: 30 / 60 W  
 Max. range: 10 m  
 Protection class: IP20  
 Cable length primary: 2000 mm  
 Cable length sec.: 180 mm



FRANKFURT SERIES	POWER (W)	REF.	THEOFILS
Emotion 1-channel radio control 12 V	30	2000370	310088
	60*	2000371	310089

\* max. 36 W per 3 A fuse (3 outputs), see below

\*\* max. 72 W per 3 A fuse (4 outputs), see below





## EMOTION 1-CHANNEL REMOTE CONTROL FRANKFURT SERIES

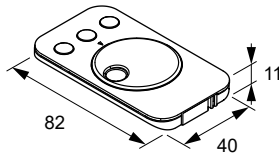
One remote control possible per controller.

- \ Continuous adjustment of the colour temperature
- \ Dimming function
- \ Incl. wall bracket for remote control

Surface / Colour: White / Black  
Battery type: CR2032



Black



FRANKFURT SERIES	COLOUR	REF.	THEOFILS
1-channel remote control	White	2000374	310090
	Black	2000375	310091

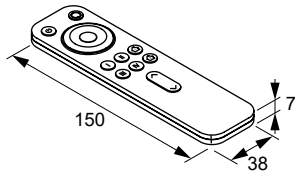


## EMOTION 4-CHANNEL REMOTE CONTROL FRANKFURT SERIES

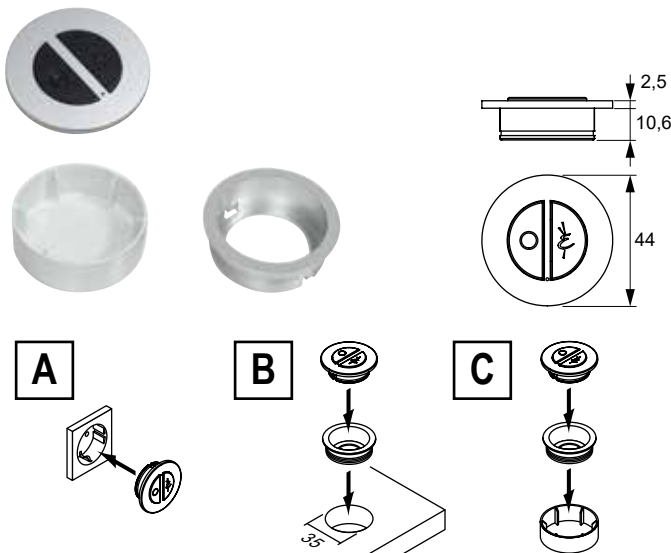
Two remote controls possible per controller.

- \ Continuous adjustment of the colour temperature
- \ 4 channels possible
- \ Dimming function
- \ Two light scenes can be saved
- \ Compatible with RGB control

Surface / Colour: White  
Battery type: CR2032 (2x)



FRANKFURT SERIES	L (mm)	REF.	THEOFILS
1 Emotion remote control 4-channel	150	2000292	310092
2 Wall bracket incl. mounting material		2000698	310093



## EMOTION RADIO REMOTE CONTROL / WALL SWITCH (2 BUTTONS)

Several radio remote controls possible per control.

Alternating circuits can be realized. ON/OFF function.

- \ Continuous adjustment of brightness
- \ Adjustment of color temperature in three steps and continuously
- \ Dimensions: Ø 44 x 13,1 mm
- \ Can be used as a socket insert (Schuko), for installation or as a hand-held remote control
- \ Including mounting ring and mounting housing

Drilling- Ø: 35 mm  
Material: Plastic  
Surface / Colour: Silver coloured/Black  
Battery type: CR2032

FRANKFURT SERIES	REF.	THEOFILS
Emotion radio remote control / wall switch (2 buttons)	2000668	310094



## EMOTION RADIO SWITCH / MOTION DETECTOR FRANKFURT SERIES

- \ ON/OFF function, dimming and changing the colour temperature
- \ With twilight function
- \ Operation in combination with the 1-channel control system Frankfurt series and the Emotion Driver (module 2 or 3)



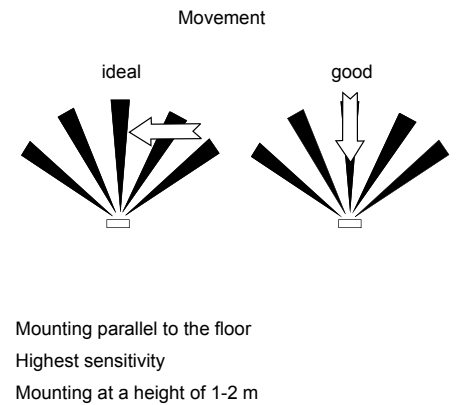
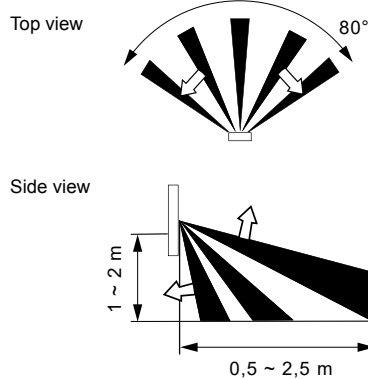
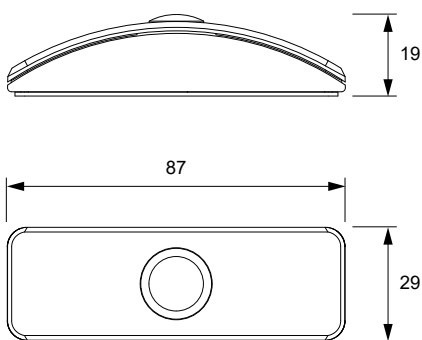
Back

### PRODUCT FEATURES

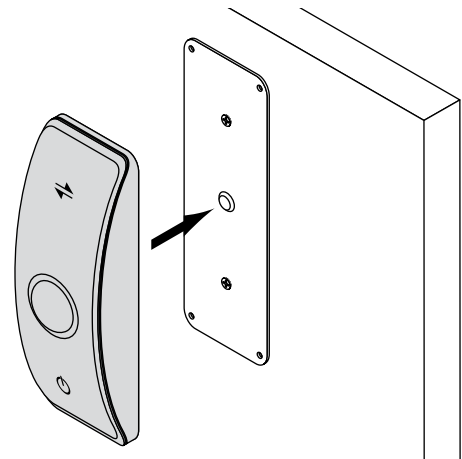
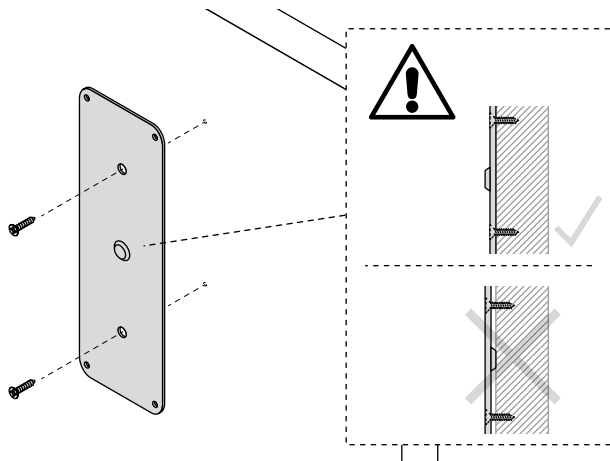
Operating voltage: 3 V  
 Frequency range: 2,4 GHz  
 Max. range to the control: 15 m  
 Max. detection range: 2,5 m  
 Detection angle: 80°  
 Delay time: 16/180/600 sec.  
 Daylight detection: 40/150 lx  
 Material: Plastic  
 Surface / Colour: White  
 Type of installation: Magnet attachment  
 Battery type: CR2032

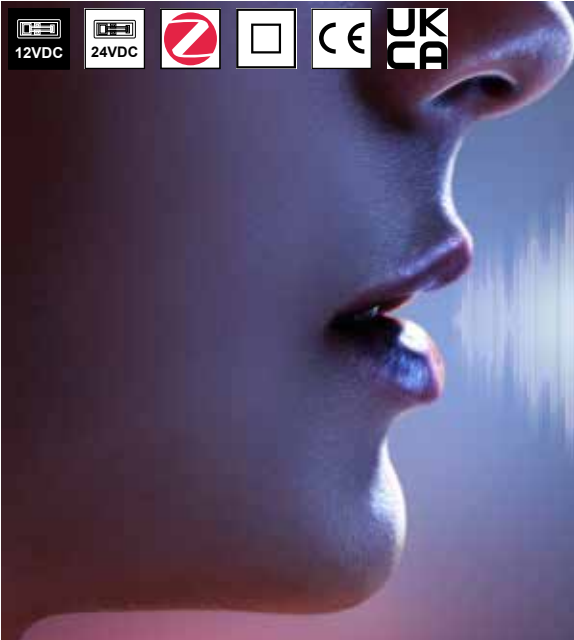
FRANKFURT SERIES	REF.	THEOFILS
Radio switch / Motion detector Frankfurt series	2000691	310095

### DIMENSIONS



### INSTALLATION





# L&S EMOTION HOME BASE FRANKFURT SERIES



- \ Gateway for connecting control units from the Frankfurt series to smart home networks
- \ Control via voice input, app or remote control
- \ Voice control in connection with a Zigbee Bridge and a Smart Speaker
- \ Up to 4 lighting groups can be controlled
- \ Existing light controls from the Frankfurt series can be retro-fitted with little effort



A remote control is required for commissioning!

## REQUIREMENTS FOR OPERATION

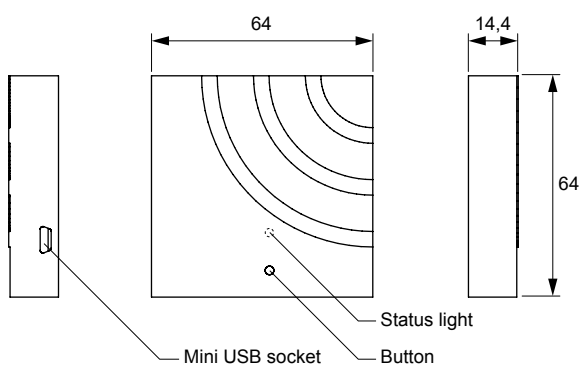
- \ Existing Zigbee Bridge (we recommend the Philips Hue Bridge<sup>1</sup>)
- \ Existing light control from the Frankfurt series

## REQUIREMENT FOR VOICE CONTROL

- \ Existing smart speaker (e.g. Amazon Echo<sup>2</sup>, not compatible with Apple HomeKit)

## PRODUCT FEATURES

Input voltage:	230 V AC
Operating voltage:	5 V
Radio frequency:	2,4 GHz
Radio standard:	Zigbee 3.0
IP protection rating:	IP20
Material:	Plastic
Surface / Colour:	White
Connection:	Plug-in power supply
Cable length:	1.000 mm



FRANKFURT SERIES	START COLOUR	REF.	THEOFILS
L&S Emotion Home Base	Warm white	2000484	310116

The function of the Emotion Home Base with Amazon Alexa<sup>2</sup> and Google Assistant<sup>3</sup> as well as the Philips Hue<sup>1</sup> Bridge were reported at the time of creating this catalog page. An interim change or further development of the apps is not under our control. We make no claim to the accuracy and completeness of the information.

<sup>1</sup> Philips Hue is a registered trademark of Signify N.V.

<sup>2</sup> Amazon Echo and Amazon Alexa are registered trademarks of Amazon.com, Inc.

<sup>3</sup> Google Assistant is a registered trademark of Alphabet Inc.

L&S Emotion Home Base

Plug-in power supply

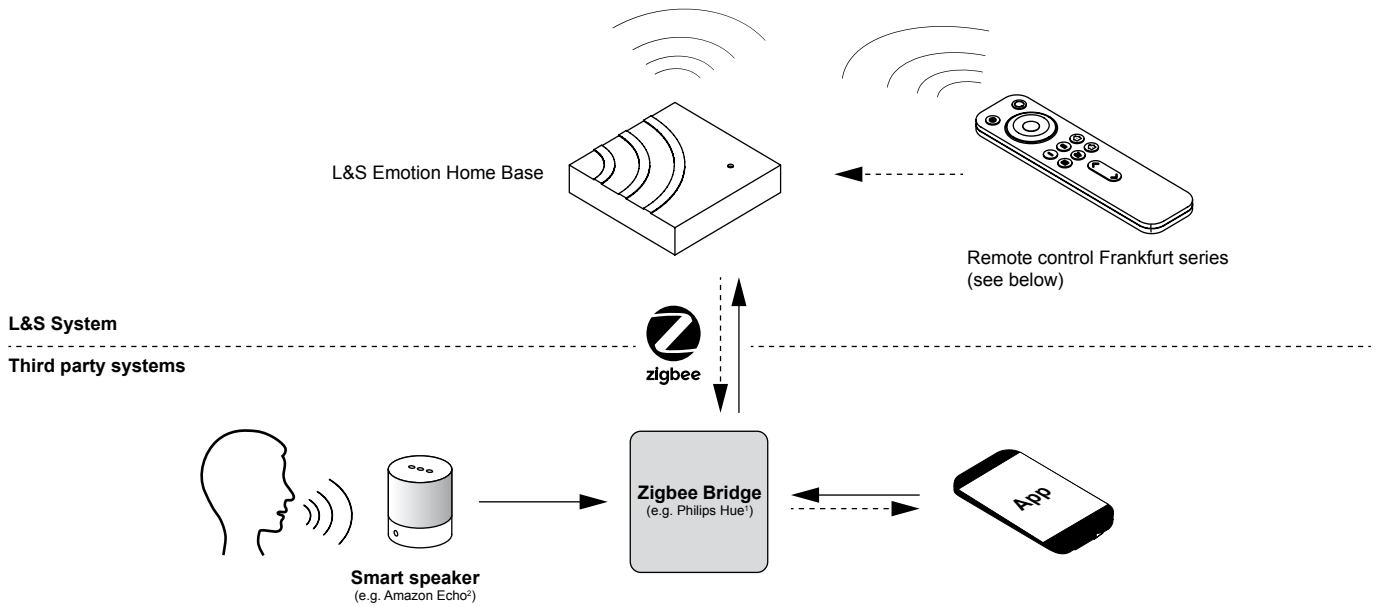
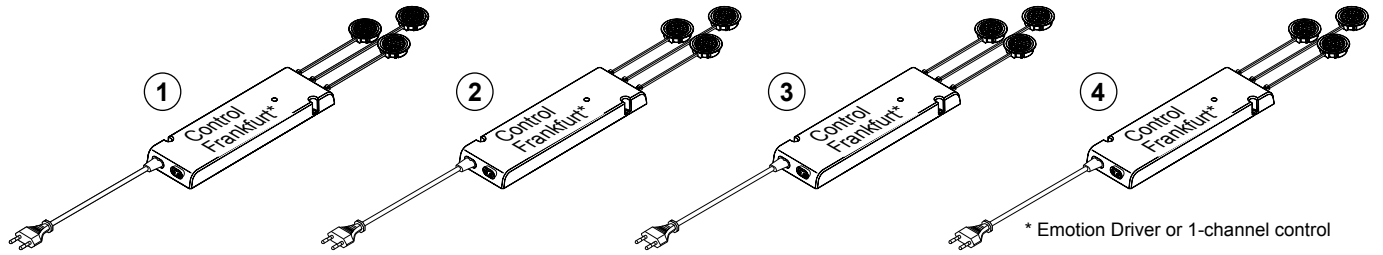


White

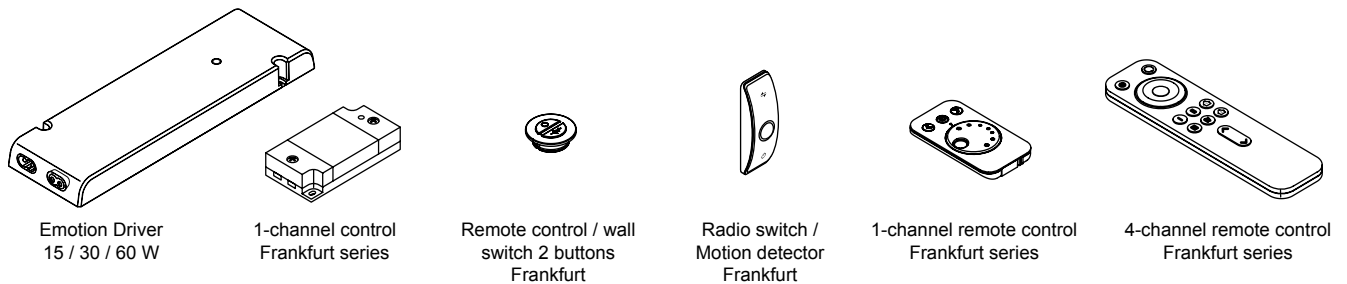


Included in delivery

INSTALLATION



CONTROL SYSTEMS FRANKFURT - COMPATIBLE COMPONENTS





# EMOTION RADIO CONTROL STUTTGART SERIES

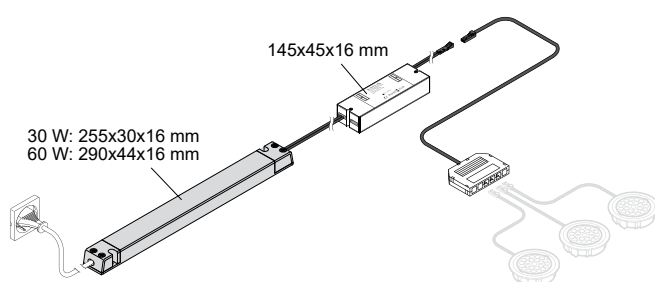
- \ Control system for LED Emotion lights
- \ Control via wall switch (see below)
- \ Continuously adjustable color temperature from Warm white to Cool white
- \ Control set can be expanded as required
- \ Incl. LED driver with 16 mm height
- \ Operation via wall switch and/or remote control

## FUNCTION

- \ ON/OFF
- \ Dimming
- \ Colour temperature

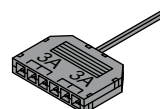
## PRODUCT FEATURES

Input voltage:	230 V
Output voltage:	12 / 24 V
Max. range:	20 m
Protection class:	IP20
Max. switching power:	30 / 60 W
Cable length primary:	2000 mm
Cable length sec.:	200+200 mm (Control) 200+200 mm (Distributor)

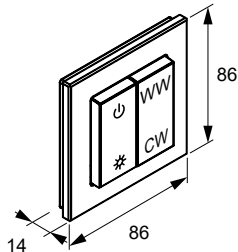


SERIE STUTTGART	W	REF.	THEOFILS
Radio control Stuttgart 12 V	30	2000384	310083
	60*	2000385	310084

\* max. 36 W per 3 A fuse (3 outputs), see below



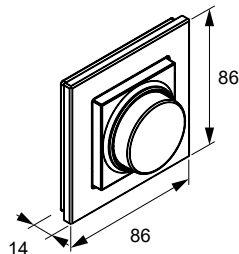




## EMOTION RADIO WALL SWITCH STUTTGART SERIES

- \ Continuous adjustment of the colour temperature
- \ Dimming function
- \ Battery operated (1x CR 2430)
- \ Wireless installation
- \ Up to 8 switches can be connected to one controller
- \ Any number of controls can be taught to one switch
- \ Compatible with many common installation frames

STUTTGART SERIES	COLOUR	REF.	THEOFILS
Wall switch with double rocker	White	2000388	310085

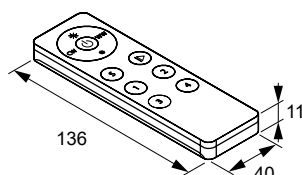


## EMOTION RADIO WALL SWITCH STUTTGART SERIES

- \ Continuous adjustment of the colour temperature
- \ Dimming function
- \ Battery operated (1x CR 2430)
- \ Wireless installation
- \ Up to 8 switches can be connected to one controller
- \ Any number of controls can be taught to one switch
- \ Compatible with many common installation frames

Battery type: CR2430

STUTTGART SERIES	COLOUR	REF.	THEOFILS
Wall switch with rotary wheel	White	2000389	310086



## EMOTION 4-CHANNEL REMOTE CONTROL STUTTGART SERIES

- \ Continuous adjustment of the colour temperature
- \ Dimming function
- \ All functions for up to four lighting groups can be set individually
- \ One light scene saveable
- \ Up to 8 switches can be connected to one controller
- \ Any number of controls can be taught to one switch
- \ Incl. magnetic holder

Battery type: CR2430

STUTTGART SERIES	COLOUR	REF.	THEOFILS
4-Kanal remote control	Black	2000390	310087



## LED PLUG-IN POWER SUPPLY 230V / 12V, 6W

Integrated 2-fold LED socket cable  
Cable length: 2x 200 mm

LED CONVERTER 12 V	POWER (W)	REF.	THEOFILS
LED plug-in power supply	6	2000419	310228



## LED CONVERTER 230 V / 12 V, 15 W

3 internal slots  
Cable length primary: 2000 mm  
Cable length sec.: 200 mm (6-way distributor)  
Dimensions: 130x45x16 mm

LED CONVERTER 12 V	POWER (W)	REF.	THEOFILS
LED Converter	15	2000420	310074



## LED CONVERTER 230 V / 12 V, 30 W

Cable length primary: 2000 mm  
Cable length sec.: 200 mm (socket cable)  
200 mm (6-way distributor)  
Dimensions: 255x30x16 mm

LED CONVERTER 12 V	POWER (W)	REF.	THEOFILS
LED Converter	30	2000421	310075



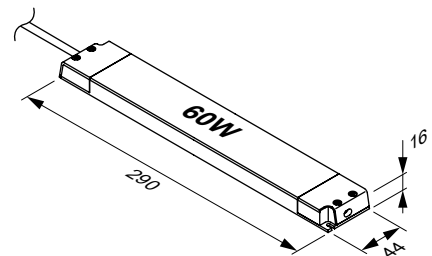
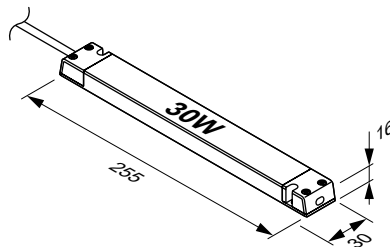
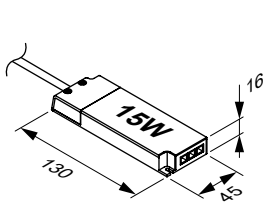
## LED CONVERTER 230 V / 12 V, 60 W

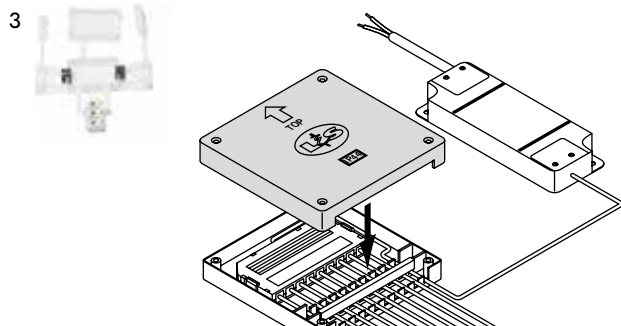
Cable length primary: 2000 mm  
Cable length sec.: 200 mm (6-way distributor)  
Dimensions: 290x44x16 mm

LED CONVERTER 12 V	POWER (W)	REF.	THEOFILS
LED Converter	60*	2000422	310076

\* max. 36 W per 3 A fuse (3 outputs), see left

### DIMENSIONS





## LED CONVERTER 230V / 12V, 30 W IP44

\ Incl. 9-way distributor

\ IP44 splash-proof

Cable length primary: 1000 mm

Cable length sec.: 500 + 140 mm (9-way distributor)

Dimensions: 195x45x16 mm

LED CONVERTER 12 V		REF.	THEOFILS
1	LED converter 230 V / 12 V	2000427	310229
2	IP44 distributor housing for 9-way distributor	2000428	310230
3	Connection box IP44	2000429	310231



## LED DISTRIBUTOR 12 V

\ With plug

LED CONVERTER 12 V	L (mm)	REF.	THEOFILS	
1	LED 6-way distributor	200	2000432	310232
2	LED 9-way distributor	140	2000433	310233



## HV Y-DISTRIBUTER

\ Y-distributor with 3x Euro socket and 1x Euro flat plug

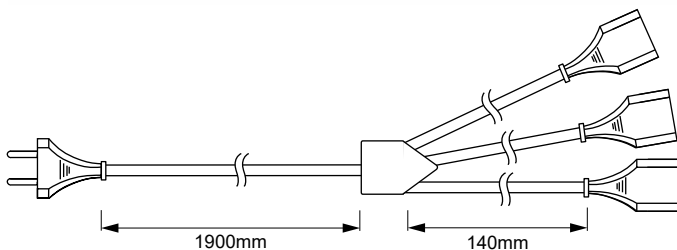
Voltage: 220-240 V

Load capacity: 2,5 A

Cable length (plug): 1900 mm

Cable length (socket): 140 mm

PU = piece



HV DISTRIBUTOR	REF.	THEOFILS
Y-distributor	2000647	310237



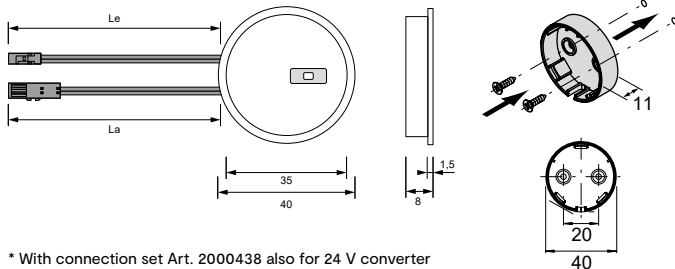
## TOUCH LED EMOTION 12 V / 24 V, ROUND

- \ External recessed/surface-mounted switch
- \ Switching and dimming of LED Emotion lights

Operating voltage: 12 V / 24 V\*  
 Max. switching power: 30 W / 60 W  
 Cable length primary: 2000 mm (Le)  
 Cable length sec.: 1000 mm (La)  
 Dimensions Einbau: 35x8 mm  
 Dimensions Aufbau: 40x13 mm  
 Material: Plastic  
 Surface / Colour: Silver coloured

### FUNCTION:

- \ ON 95% / 60% / 30% / OFF (short press)
- \ Continuous adjustment of the colour temperature (long press)
- \ Memory function: Saving the last set colour temperature



\* With connection set Art. 2000438 also for 24 V converter

TOUCH LED EMOTION	REF.	THEOFILS
Emotion Touch LED 12 V / 24 V, round	2000442	310119



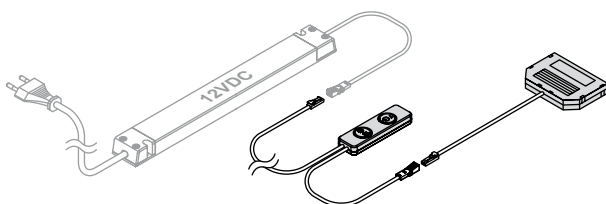
## EMOTION SWITCH PUCKY II 12 V / 24 V

- \ External surface mounted switch in slim design
- \ Switching and dimming of LED Emotion lights

Operating voltage: 12 V / 24 V\*  
 Max. switching power: 36 W / 72 W  
 Cable length primary: 2000 mm  
 Cable length sec.: 2000 mm  
 Dimensions: 75x22x10 mm  
 Material: Plastic  
 Surface / Colour: Grey/Black

### FUNCTION:

- \ ON/OFF (short press of the ON/OFF button)
- \ Continuous adjustment of brightness (long press of the ON/OFF button)
- \ Gradual adjustment of the color temperature (short press of the colour temp. button)
- \ Continuous adjustment of the colour temperature (long press of the colour temp. button)



\* With connection set Art. 2000438 also for 24 V converter

EMOTION SWITCH PUCKY II	REF.	THEOFILS
LED Emotion switch Pucky II 12 V 36 W	2000670	310227



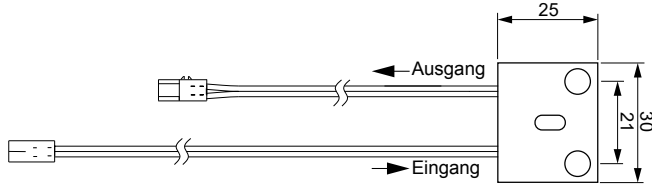
## TOUCH DIMMER 12 V / 24 V

- \ External surface-mounted switch for LED lights
- \ For switching and continuous dimming

Operating voltage: 12 V / 24 V\*  
 Max. switching power: 36 W / 72 W  
 Cable length primary: 2000 mm  
 Cable length sec.: 1000 mm  
 Dimensions: 25x30x6 mm  
 Material: Plastic  
 Surface / Colour: Black

### FUNCTION:

- \ ON/OFF by short press
- \ Continuous dimming through long press
- \ ON/OFF to max. brightness



\* With connection set Art. 2000438 also for 24 V converter

TOUCH DIMMER	REF.	THEOFILS
LED Touch Dimmer 12 V / 24 V	2000449	310165



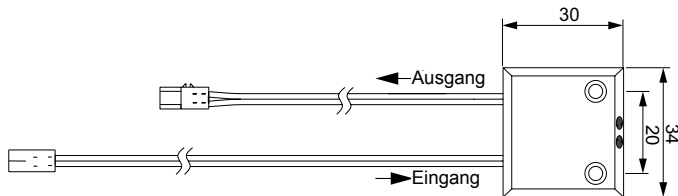
## DOOR CONTACT SWITCH 12 V / 24 V

- \ External surface-mounted switch for LED lights
- \ Switch by door movement

Operating voltage: 12 V / 24 V\*  
 Max. switching power: 30 W / 60 W  
 Detection distance: 0-50 mm to the front  
 Cable length primary: 2000 mm  
 Cable length sec.: 1000 mm  
 Dimensions: 30x34x8 mm  
 Material: Plastic  
 Surface / Colour: Black

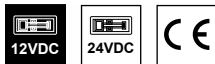
### FUNCTION:

- \ Door closed - „light off“
- \ Door open - „light on“



\* With connection set Art. 2000438 also for 24 V converter

DOOR CONTACT SWITCH	REF.	THEOFILS
Door contact switch 12 V / 24 V	2000447	310168



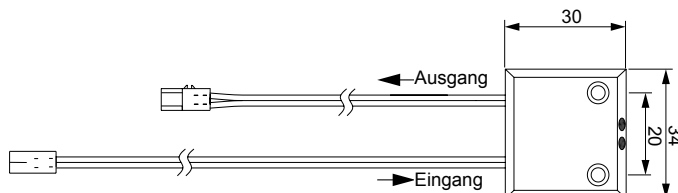
## IR SWITCH 12 V / 24 V

- \ External non-contact surface-mounted switch for LED lights
- \ For switching

Operating voltage: 12 V / 24 V\*  
 Max. switching power: 30 W / 60 W  
 Detection distance: 0-50 mm to the front  
 Cable length primary: 2000 mm  
 Cable length sec.: 1000 mm  
 Dimensions: 30x34x8 mm  
 Material: Plastic  
 Surface / Colour: Black

### FUNCTION:

- \ ON/OFF by approaching



\* With connection set Art. 2000438 also for 24 V converter

IR SWITCH	REF.	THEOFILS
LED IR switch 12 V / 24 V	2000448	310234



## IR SENSOR / DOOR CONTACT SWITCH 12 V / 24 V

- \ Non-contact IR sensor for switching LED lights for recessed or mounted installation
- \ Two operating modes: door contact or contactless sensor switch
- \ Adjustable via the switch on the housing of the receiver

Operating voltage: 12 V / 24 V\*  
 Max. switching power: 30 W / 60 W  
 Detection distance: 0-50 mm to the front  
 Detection distance for door contact: 1-50 mm to the front  
 Cable length primary: 200 mm  
 Cable length sec.: 200 mm  
 Cable length sensor: 1800 mm  
 Housing dimensions: 70x40x12 mm  
 Dimensions einbohren: 11x20 mm  
 Material: Plastic  
 Surface / Colour: White

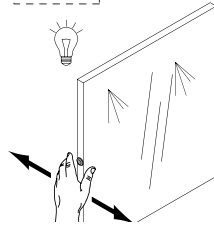
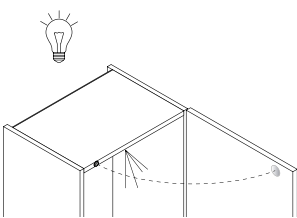
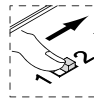
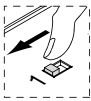
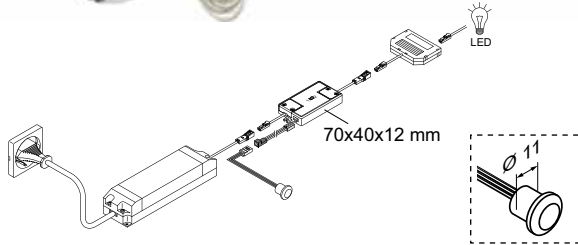
### FUNCTION:

#### Non-contact sensor switch

- \ ON/OFF by approaching

#### Door contact switch

- \ Door closed = „light off“ / door open = „light on“



\* With connection set Art. 2000438 also for 24 V converter

IR SENSOR / DOOR CONTACT SWITCH	REF.	THEOFILS
IR sensor / door contact switch	2000453	310166

# MAGNETIC DOOR CONTACT SWITCH 12 V / 24 V EMOTION

- \ External radio switch for doors and fronts
- \ For switching LED Emotion lights
- \ Battery operated transmitter (2x CR1632)

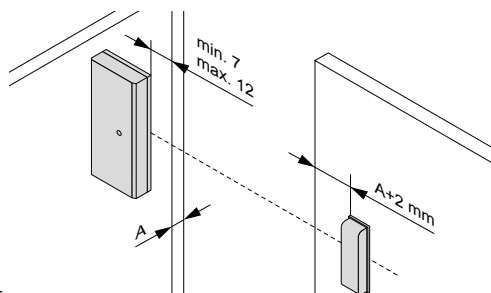
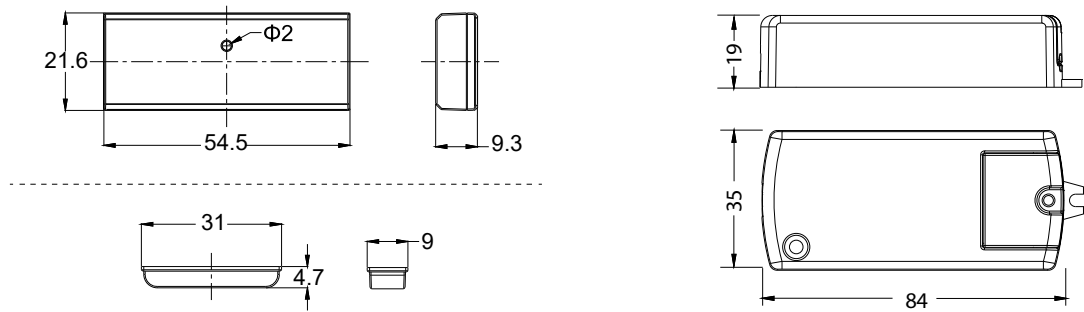
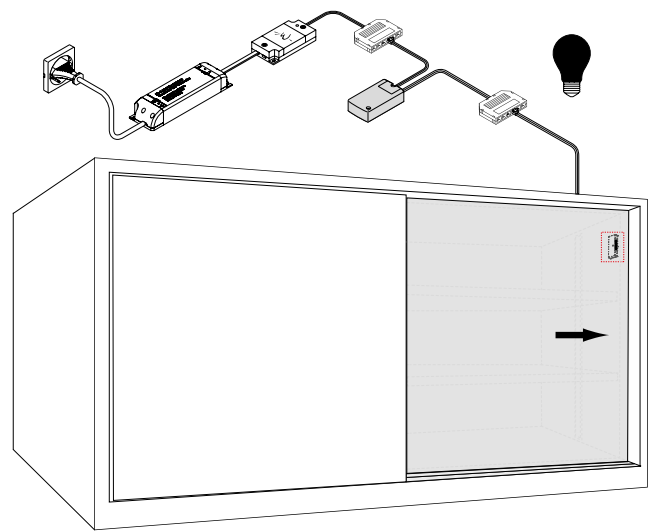
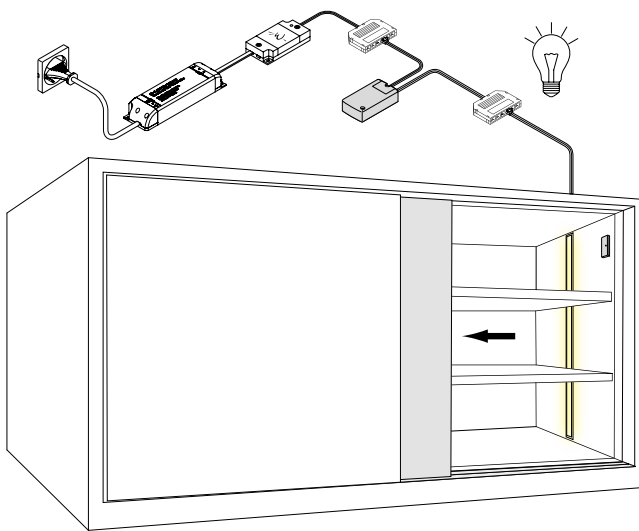
Operating voltage: 12 V / 24 V\*  
 Max. switching power: 36 W / 72 W  
 Detection distance: Max. 12 mm  
 Range: ~ 5 Meter  
 Cable length primary: 200 mm  
 Cable length sec.: 200 mm  
 Dimensions: 84x35x19 mm  
 Material: Plastic  
 Surface / Colour: White (Receiver)  
 Silver coloured (Sensor)

**FUNCTION:**

- \ ON/OFF by approaching the magnets



MAGNETIC DOOR CONTACT SWITCH	REF.	THEOFILS
1 LED Magnetic door contact switch	2000450	310235
2 Transmitter for Magnetic door contact switch	2000522	310236



\* With connection set Art. 2000438 also for 24 V converter



## HV AC RADIO SWITCH SET

- \ For convenient, remote-controlled switching of lights and transformers
- \ Function: light ON/OFF by radio transmitter
- \ Up to 9 radio remote controls can be used with one radio switch
- \ Radio remote control can also be installed as a wireless recessed switch  $\varnothing$  35 mm

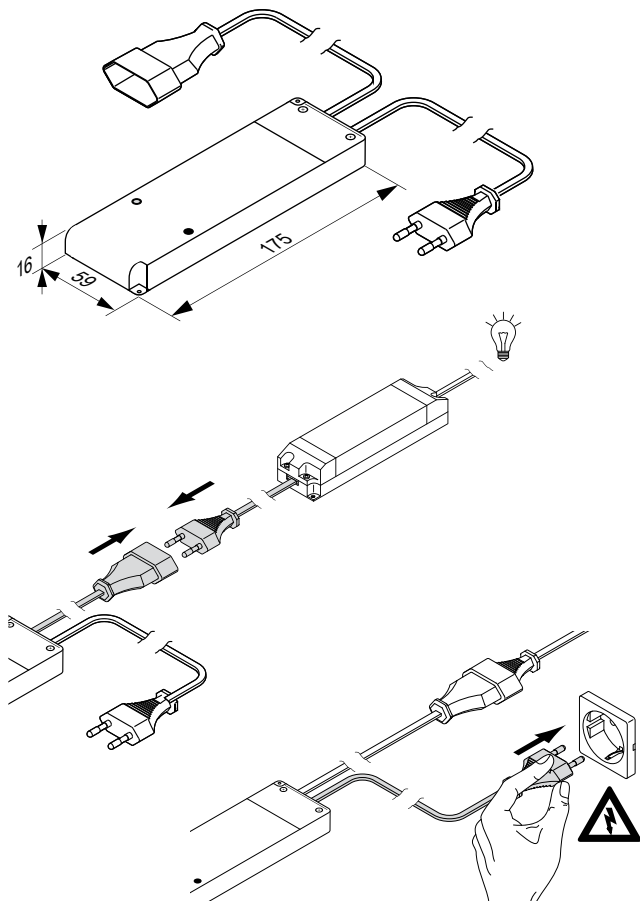
Operating voltage: 230 V  
 Max. switching power: 575 W  
 Radio range: Max. 50 m in open field  
 Frequency: 433,9 MHz  
 Cable length primary: 2000 mm  
 Cable length sec.: 500 mm  
 Remote control:  $\varnothing$  44x13 mm , Silver coloured  
 Mounting ring:  $\varnothing$  40x13 mm for  $\varnothing$  35 mm hole

**NOTE:**

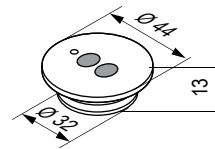
The radio switch and its antenna must maintain a minimum distance of 0.5 m from transformers, ballasts and other electrical devices (e.g. microwaves, stereo and TV systems). Installation on or behind metallic coated foils is not permitted.



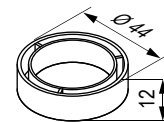
HV RADIO SWITCH	REF.	THEOFILS
HV AC radio switch set	2000459	310156
Single remote control with mounting ring	2000460	310157
Spacer ring for remote controls	2000461	310158



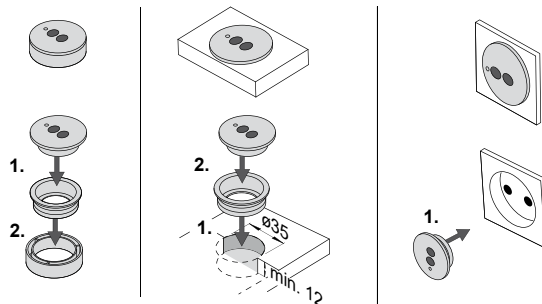
Remote control



Spacer ring



Installation of remote control







## LED-OPTOTRONIC OTI DALI DIMMER SWITCH 60 W

- \ Powerful dimmer switch with LED mini plug system 12/24 V\* for switching and dimming of LED lighting groups via on-site interface Dali
- \ Installation by an electrician
- \ Not suitable for Emotion LED

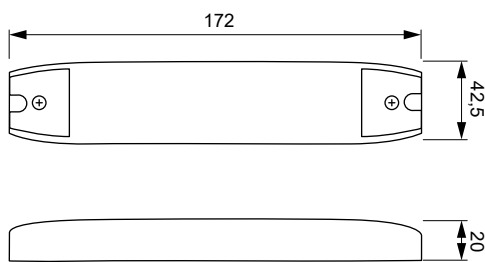
### FUNCTION

- \ Light ON/OFF by push button (provided on site) / dimming by push button (provided on site)

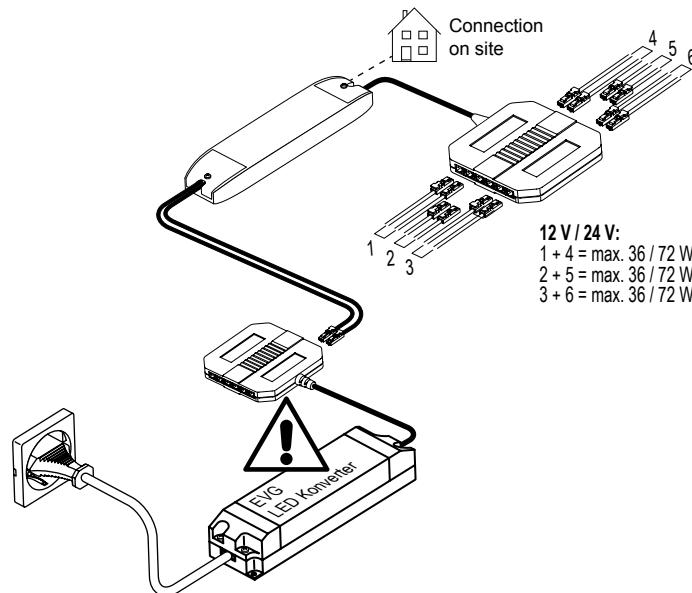
Input voltage: 12/24 VDC  
 Output voltage: 12/24 VDC  
 Power: 60 W  
 Material: Plastic  
 Surface / Colour: White / Black  
 Cable length primary: 2x1800 mm  
 Cable length sec.: 200 mm (12-way distributor)

### ATTENTION!

Can only be used with the LED converters 2000422 (12 V, 60 W) resp. 2000426 (24 V, 75 W) and 2000472 (24 V, 120 W).



OPTOTRONIC OTI DALI	POWER (W)	REF.	THEOFILS
LED-Optotronic OTi Dali 12 V	60	2000439	310146



\* With connection set Art. 2000438 also for 24 V converter



Luminaire with Emotion function: The colour temperature can be continuously adjusted from Warm white to Cool white



Luminaire with Emotion Dual Color: The colour temperature can be continuously regulated from Warm white to Neutral white or switched via adapter cable.



Extra warm white light emission: Colour temperature approx. 2700 K



Warm white light emission: Colour temperature approx. 3000 K



Natural white light emission: Colour temperature approx. 4000 K



Cool white light emission: Colour temperature approx. 6000 K



Lamp with UVA-A technology. Irradiation with UV-A light (405 nm) eliminates bacteria and odors.



Lamp with Blue Light technology. The irradiation with Blue Light (465 nm) eliminates bacteria and odors.



Luminaire with RGB function: the light color can be adjusted continuously



The product complies with the applicable requirements set out in the Community harmonization legislation on its installation.



The labeled device should not be disposed of in normal household waste, but must be collected separately.



Protection class I: All electrically conductive housing parts of the equipment are connected to the protective conductor system of the fixed electrical installation, which is at earth potential.



Protection class II: protective insulation, all parts are insulated from each other. The protective conductor must not be connected.



Protection class III: safety extra-low voltage below 120VDC. Double insulation between mains circuits and output voltage. Luminaires require a SELV safety transformer.



Independent lamp control gear with a surface temperature lower than 110 ° C.



Safety Extra Low Voltage, SELV. Electrical voltage that provides special protection against electric shock due to its low level and insulation from higher voltage circuits.



Battery operation



WLAN



Recessed luminaire



Operation with rechargeable battery



<sup>1</sup> Bluetooth



Surface-mounted luminaire



Operating voltage  
12 VDC



<sup>2</sup> iOS compatible



Dimmable



24 V DC



<sup>3</sup> Android compatible



Power cord length



220-240 VAC



Operating current



Zigbee integration possible



Zigbee certificated

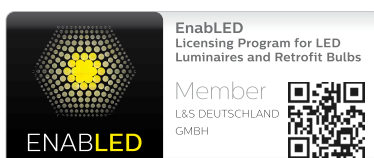
<sup>1</sup> Bluetooth is a registered trademark of Bluetooth SIG Inc.

<sup>2</sup> Apple, the Apple logo, App Store, iPad, iPhone, iTunes are trademarks of Apple Inc., registered in the U.S. and other countries.

<sup>3</sup> Google Store, Google Home, Android and the Android logo are trademarks or registered trademarks of Google LLC



<b>Luminous flux</b>	Luminous flux is the amount of light emitted by a light source and is specified in lumens (lm).
<b>Luminous efficacy</b>	The luminous efficacy is the ratio of the luminous flux to the electrical power consumed (lm / w). It is the measure of the efficiency of the light source.
<b>Illuminance</b>	Illuminance describes the luminous flux that strikes a surface. It is given in lux (lx = lm / m <sup>2</sup> ). It is therefore a measure of the brightness with which a surface is illuminated.
<b>Beam angle</b>	The beam angle influences the diameter of the light cone created by the LED light.
<b>Colour temperature</b>	The color temperature describes the color impression of a white light source. It is given in Kelvin (K). The lower the color temperature, the warmer the light. The higher the color temperature, the colder the light. White light sources with a color temperature <3300 K are referred to as „Warm white“, 3300-5300 K „Natural white“ and light sources > 5300 K „Cool white“
<b>Colour binning</b>	LEDs are sorted according to the color temperature. The color deviations of the LEDs depend on the narrowness of the binnings.
<b>Colour rendering index</b>	The color rendering index is a parameter that can be used to describe the quality of the color rendering of light sources at the same color temperature. The higher the value, the better the color rendering. The value 100 corresponds to the color rendering of daylight.



EnabLED is a registered trademark of PHILIPS LIGHTING HOLDING B.V.

# THEOFILS